

Inset Approach Light



Compliances: ICAO Annex 14: Figures A2-1, A2-2, A2-3, A2-4, A2-8

Applications

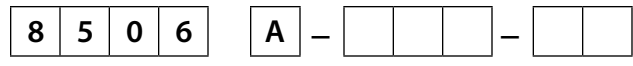
The IAL is an unidirectional inset approach light, inset threshold light and inset end light compliant to ICAO specifications. It is also a bidirectional ICAO threshold/end fixture.

Features

- Low profile, .50" (12 mm)
- Few parts to stock
- Easy to maintain – no sealant required for prism
- Pressure test plug for seal integrity verification
- Long lamp life – Quartz Halogen, 105 W, 6.6 A

Shipping Weight:	17.0 lbs 7.7 kg
Shipping Volume:	0.6 cu ft 0.04 m3

Ordering Information



Fixture Type:

850 = Runway
6 = Model 6

C-H Style:

A = ICAO Approach

ICAO Figures:

- CS = Figure A2-1 – Clear, straight, unidirectional
- R2L = Figure A2-2 – 2 degree toe-left, red unidirectional
- R2R = Figure A2-2 – 2 degree toe-right, red unidirectional
- G3L = Figure A2-3 – 3.5 degree toe-left, green unidirectional
- G3R = Figure A2-3 – 3.5 degree toe-right, green unidirectional
- G2L = Figure A2-4 – 2 degree toe-left, green unidirectional
- G2R = Figure A2-4 – 2 degree toe-right, green unidirectional
- RS = Figure A2-8 – Red, straight, unidirectional
- GR* = G3L / RS – Bidirectional
- RG* = G3R / RS – Bidirectional
- GS = Green, straight, unidirectional

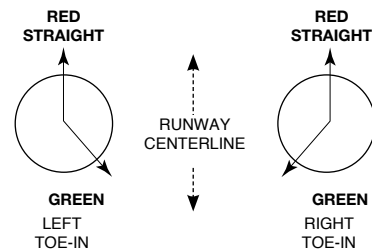
L-823 Connection:

P1 = One plug P2 = Two plugs (GR and RG units only)

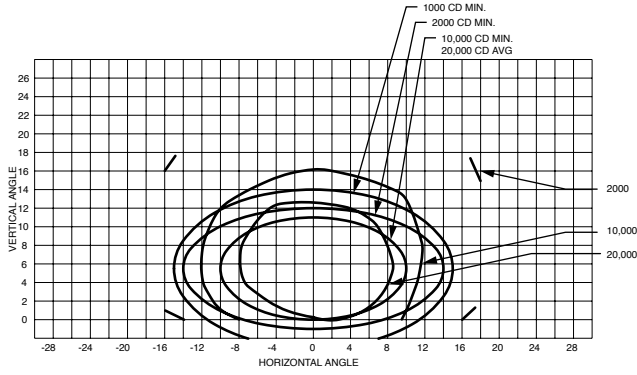
Table 1

XXX	62W	105W
CS	–	3
R2L	–	3
R2R	–	3
G3L	–	2
G3R	–	2
G2L	–	2
G2R	–	2
RS	–	1
GR	–	3
RG	–	3
GS	–	2

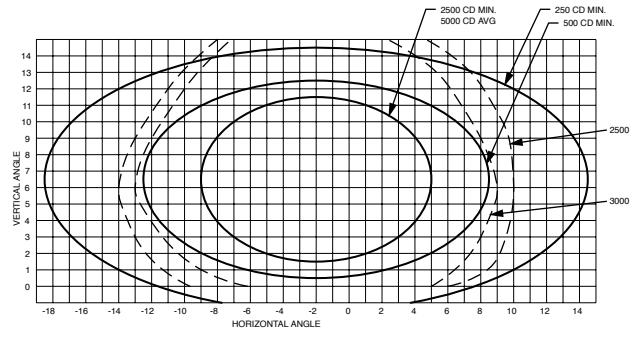
* Refer to the color symbol position: the red beam is always straight. RG means right toe-in of the green beam. GR means left toe-in of the green beam.



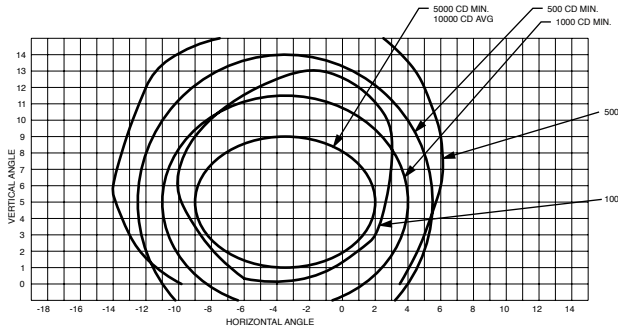
Typical Photometric Data



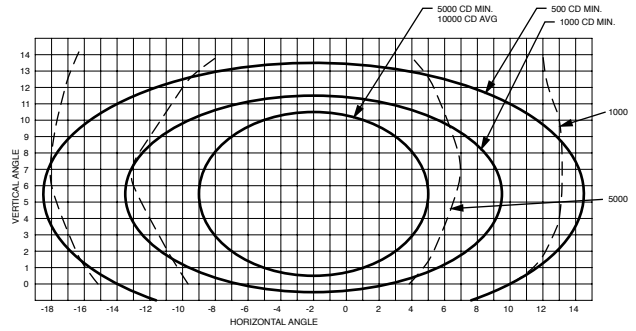
ICAO Fig. A2-1, 3 x 105W Lamp, White, Straight



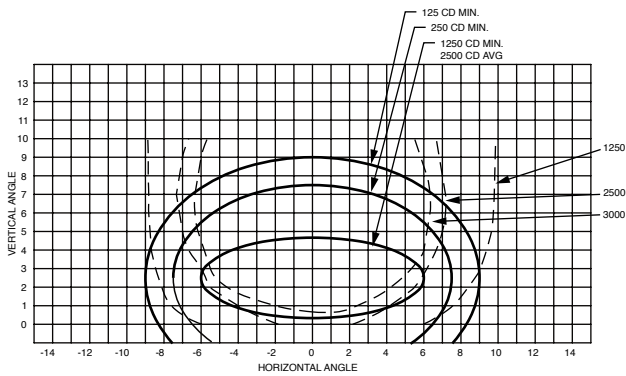
ICAO Fig. A2-2, 3 x 105W Lamp, Red, Toe-In (Toe Left Shown)



ICAO Fig. A2-3, 2 x 105W Lamp, Green, Toe-In (Toe Left Shown)



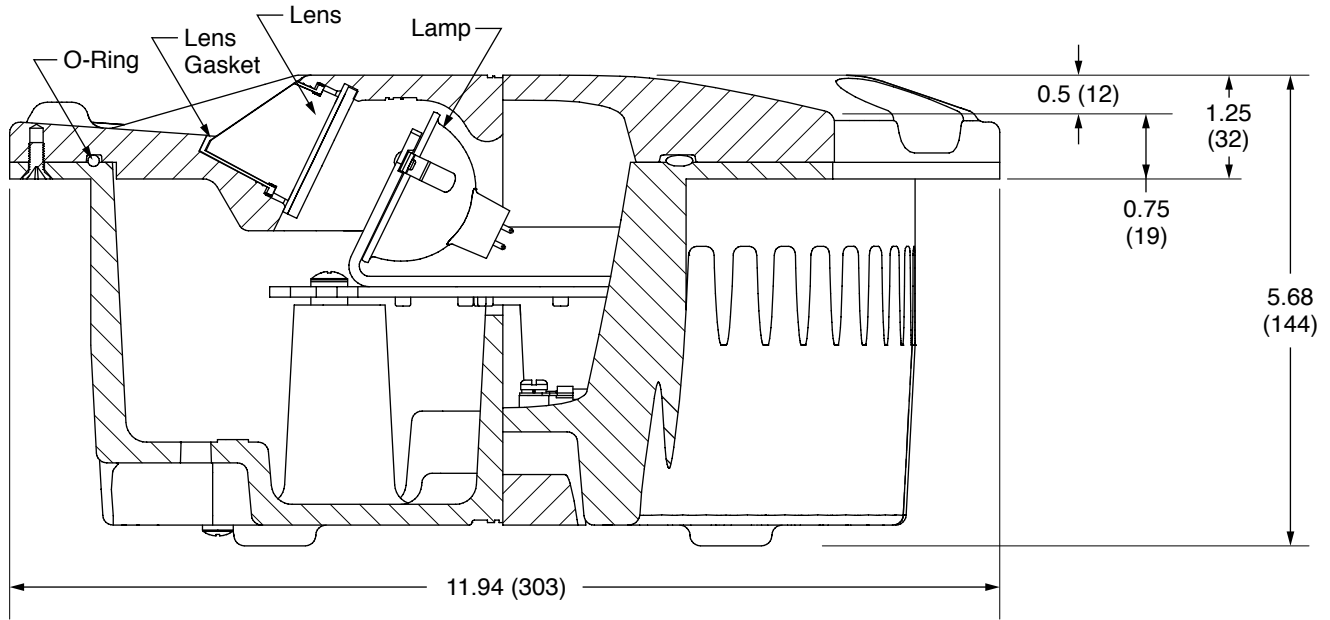
ICAO Fig. A2-4, 2 x 105W Lamp, Green, Toe-In (Toe Left Shown)



ICAO Fig. A2-8, 1 x 105W Lamp, Red, Straight



Outline Drawing



Dimensions:	inches (mm)
--------------------	----------------

Accessories

Catalog Number	Item Description	Catalog Number	Item Description
AC24242Q200003	Base: L-868B, Class I, 24" Deep*	823KP-D4-D4	Connector Kit – L-823, 8 AWG, .32" to .43" O.D.
33004	Isolation Transformer – 100 W, 6.6/6.6 A	10047-2154	Heat Shrink Kit – 1 Piece
33005	Isolation Transformer – 100 W, 20/6.6 A	10047-1425	Heat Shrink Kit – 2 Piece
33006	Isolation Transformer – 200 W, 6.6/6.6 A	19999	Lifting Tool
33007	Isolation Transformer – 200 W, 20/6.6 A	2421	Instruction Manual
33010	Isolation Transformer – 300 W, 6.6/6.6 A		
33011	Isolation Transformer – 300 W, 20/6.6 A		

Renewal Parts

Part Number	Description	Part Number	Description
21128	Lamp – 105 W, 6.6 A	10035-33-273	Gasket – Bottom Cover
21321-G**	Lens Replacement Kit – Green	10048-25	Gasket Lubricant – 5.3 oz. Container
21321-R***	Lens Replacement Kit – Red		
21321-C****	Lens Replacement Kit – White		

* Fixture with total lamp wattage greater than 150W should not be mounted on 12 inch diameter bases less than 150 mm deep. Class II bases are not recommended for this application.

** Includes 21276-G lens, 21277 lens boot, 21101 lens retaining gasket and gasket lubricant.

*** Includes 21276-R lens, 21277 lens boot, 21101 lens retaining gasket and gasket lubricant.

**** Includes 21276-C lens, 21277 lens boot, 21101 lens retaining gasket and gasket lubricant.