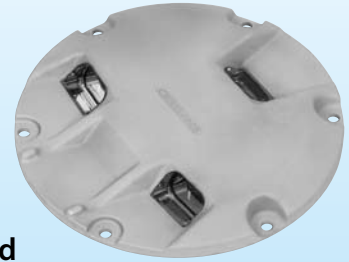


Inset Approach Light



Compliances: Designed in accordance with FAA Specification E-2952 for high intensity approach lighting applications and FAA Specification E-2968 for MALS applications. ETL tested to meet photometric requirements for FAA Specification E-2952 and E-2968. Complies with UFC 3-535-01 specification.

Applications

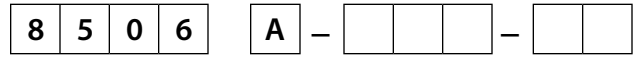
The Crouse-Hinds IALE semi-flush fixture is used in FAA high intensity approach lighting systems in the runway overrun pavement. They are also used at other locations beyond the overrun that require a low profile light fixture. The fixtures are uni-directional and provide applicable light beam colors of green for threshold, red for side row barrettes and white for centerline barrettes and crossbars.

Features

- Low profile, .50" (12 mm)
- Few parts to stock
- Easy to maintain – no sealant required for prism
- Pressure test plug for seal integrity verification
- Long lamp life – Quartz Halogen, 105 W, 6.6 A

Shipping Weight:	17.0 lbs 7.7 kg
Shipping Volume:	0.6 cu ft 0.04 m ³
Instruction Manual:	2623 (FAA) 2645 (UFC)

Ordering Information



Fixture Type:

850 = Runway
6 = Model 6

C-H Style:

A = Approach

FAA Specifications:

C52 = FAA-E-2952, Clear
C68 = FAA-E-2968, Clear
G52 = FAA-E-2952, Green
G68 = FAA-E-2968, Green
R52 = FAA-E-2952, Red

UFC Specifications:

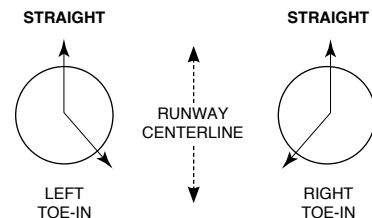
GX1 = UFC 3-535-01, Green Straight, Blank, Unidirectional
GR2 = UFC 3-535-01, Green Straight, Red Straight, Bidirectional

L-823 Connection:

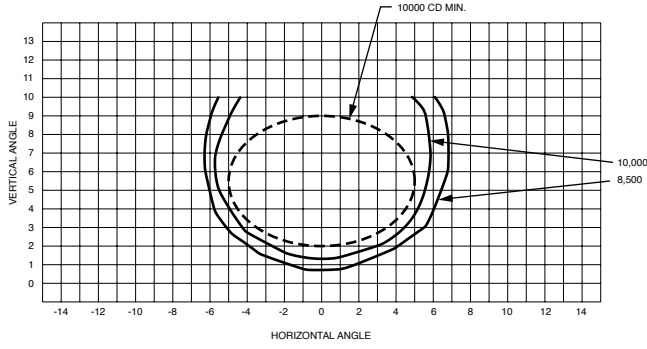
P1 = One plug
P2 = Two plugs

Table 1

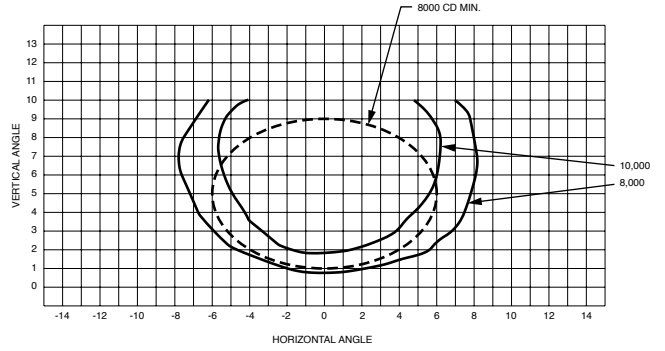
XXX	105W
C52	3
G52	2
R52	3
C68	1
G68	2
GX1	2
GR2	3



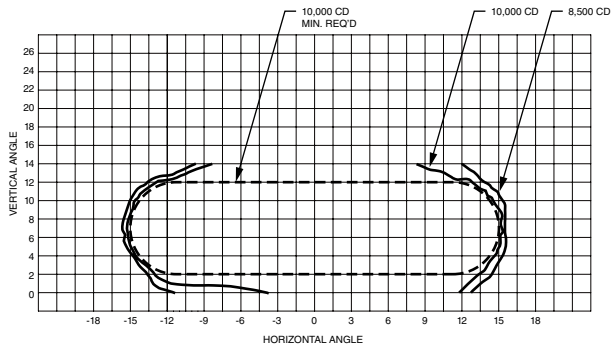
Typical Photometric Data



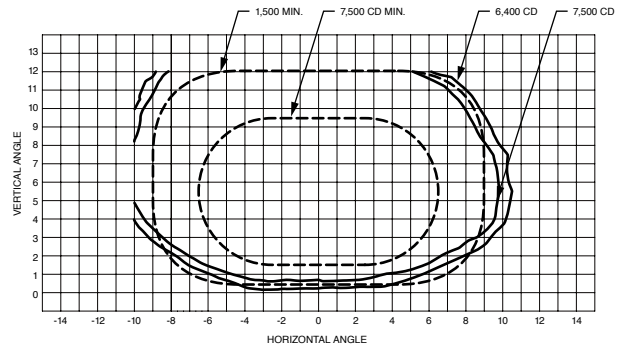
FAA-E-2968, 8506A-C68 105W Lamp, White



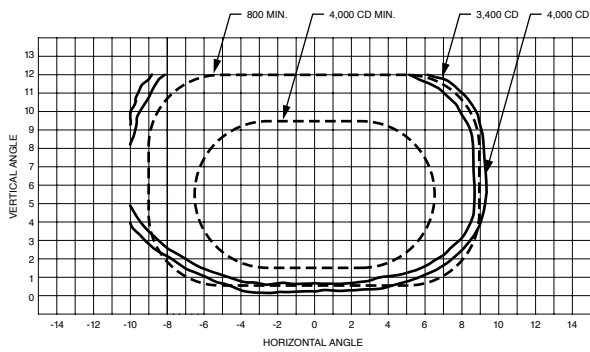
FAA-E-2968, 8506A-G68 2 x 105W Lamp, Green



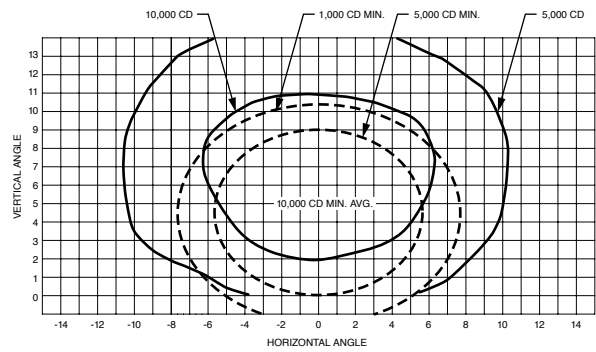
FAA-E-2952, 8506A-C52 3 x 105W Lamp, White



FAA-E-2952, 8506A-G52 2 x 105W Lamp, Green



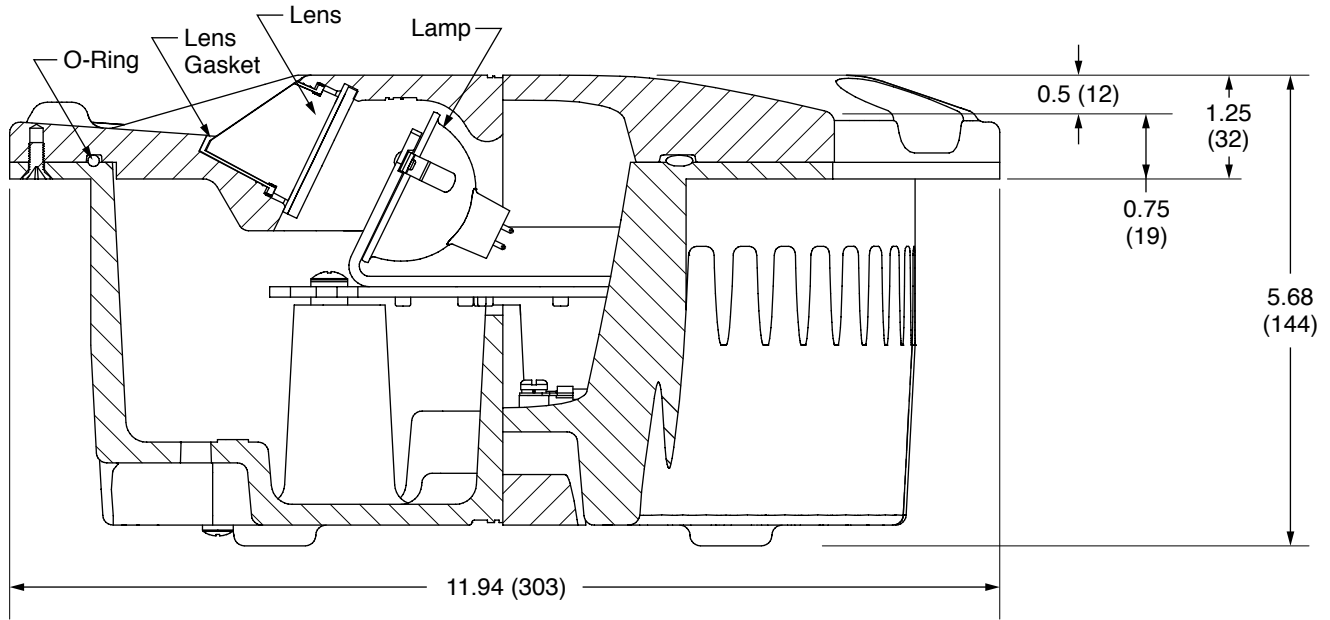
FAA-E-2952, 8506A-R52 3 x 105W Lamp, Red



UFC 3-535-01 2 x 105W Lamp, Green



Outline Drawing



Dimensions:	inches (mm)
--------------------	----------------

Accessories

Catalog Number	Item Description	Catalog Number	Item Description
AC24242Q200003	Base: L-868B, Class I, 24" Deep*	823KP-D4-D4	Connector Kit – L-823, 8 AWG, .32" to .43" O.D.
33004	Isolation Transformer – 100 W, 6.6/6.6 A	10047-2154	Heat Shrink Kit – 1 Piece
33005	Isolation Transformer – 100 W, 20/6.6 A	10047-1425	Heat Shrink Kit – 2 Piece
33006	Isolation Transformer – 200 W, 6.6/6.6 A	19999	Lifting Tool
33007	Isolation Transformer – 200 W, 20/6.6 A	2421	Instruction Manual
33010	Isolation Transformer – 300 W, 6.6/6.6 A		
33011	Isolation Transformer – 300 W, 20/6.6 A		

Renewal Parts

Part Number	Description	Part Number	Description
21128	Lamp – 105 W, 6.6 A	10035-33-273	Gasket – Bottom Cover
21321-G**	Lens Replacement Kit – Green	10048-25	Gasket Lubricant – 5.3 oz. Container
21321-R***	Lens Replacement Kit – Red		
21321-C****	Lens Replacement Kit – White		

* Fixture with total lamp wattage greater than 150 W should not be mounted on 12" diameter base less than 20" deep. Class II bases are not recommended for this application.

** Includes 21276-G lens, 21277 lens boot, 21101 lens retaining gasket and gasket lubricant.

*** Includes 21276-R lens, 21277 lens boot, 21101 lens retaining gasket and gasket lubricant.

**** Includes 21276-C lens, 21277 lens boot, 21101 lens retaining gasket and gasket lubricant.