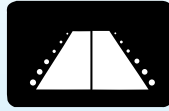
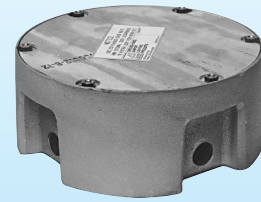


# SIB-D12



## Shallow Inset Light Base - 12" Ductile Iron



**SIB**

### Applications

The SIB (Shallow Inset Base) is a load-bearing base designed to mount a 12" diameter inset fixture (11.25 DBC) into a taxiway or runway pavement location.

### Features

- Ductile Iron Material\*
- Tapered sides to resist heaving from the pavement
- Open bottom casting cavities which fill with the setting epoxy to eliminate torquing in the pavement
- Outer retaining ring prevents epoxy flowing into the base. Easy light fixture removal.
- Feed-thru entry version with watertight seals
- Secondary plug(s) inside the base for ease of maintenance

### Ordering Information

2 0 4 5 3 - [ ] [ ] [ ] / [ ] [ ] [ ] [ ] - [ ] [ ] [ ] [ ]

**Fixture Type:**

**Entry Type:**

- 1 = One Feed-thru Entry (2 Conductors), 90° (Side B) Standard Entry Location
- 2 = Two Feed-thru Entry (4 Conductors), 90° (Side B) Standard Entry Location
- F1 = Flexible Rubber Grommets for 1 Inch Conduit, 0° and 180° (Sides A and C) Standard Entry Locations
- H50 = Threaded Hole 1/2-14 NPT, 0° and 180° (Sides A and C) Standard Entry Locations
- H75 = Threaded Hole 3/4-14 NPT, 0° and 180° (Sides A and C) Standard Entry Locations
- H1 = Threaded Hole 1-111/2 NPT, 0° and 180° (Sides A and C) Standard Entry Locations
- B2 = Center Bottom Entry Via Flexible Rubber Grommet for 2 Inch Conduit

**Entry Locations:**

No Symbol means Standard Locations as noted under "Entry Type"

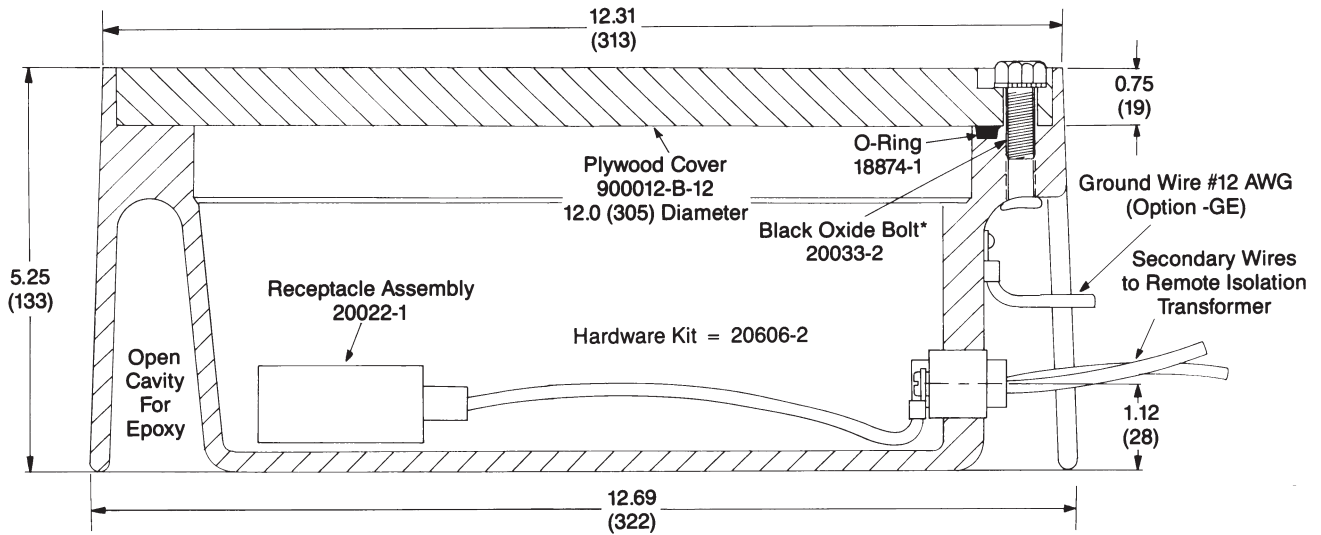
- A = Side A: 0°
- B = Side B: 90°
- C = Side C: 180°
- D = Side D: 270°

**Options:**

- CR = Corrosion Resistant Coating
- GE = Ground Wire, External
- GI = Ground Wire, Internal
- S312 = Modified for 15 inch Diameter FAA Size C Light

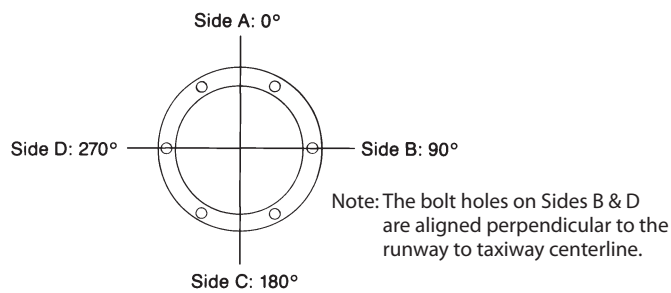
\* Recommended for use with Ductile iron fixtures

## Dimensional Information



\* Typical for 6 bolts equally spaced on 11.25 (286) diameter bolt circle

## Bolt and Entry Alignment Diagram

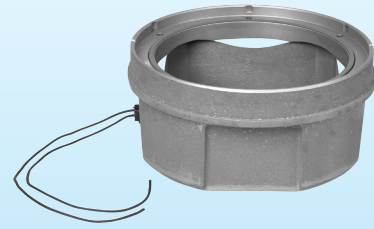


<b>Dimensions:</b>	inches (mm)
<b>Shipping Weight:</b>	39.0 lbs. 17.7 kg.
<b>Shipping Volume:</b>	1.0 cu. ft. .028 cu. m.



# SIB-A12

## Shallow Inset Light Base - 12" Aluminum



**SIB**

### Applications

The SIB (Shallow Inset Base) is a load-bearing base designed to mount a 12" diameter inset fixture (11.25 DBC) into a taxiway or runway pavement location.

### Features

- **Anodized cast aluminum** - C-H recommends use with like-metals
- Vertical casting recesses prevent rotation in pavement when set into epoxy
- Horizontal casting flange prevents base from lifting out of pavement when set into epoxy
- Secondary plug(s) inside the base for ease of maintenance and light fixture removal
- Mechanical feed-thru with watertight seal

### Accessory

P/N 19583 Installation Fixture

### Ordering Information



**Fixture Type:**

**Connection Type:**

- 1 = One feed-thru (2 conductors) entry at location "1" in Base side
- 2 = Two feed-thru (4 conductors) entry at location "1" & "2" in Base side
- 3 = Bottom entry thru flexible grommet for 2 inch (2.375 O.D.) pipe

**Entry Location:** (Type 1 & 2 Connection)

- A = 0° (Parallel to alignment notch)
- B = 90° (Perpendicular to alignment notch)

**Option:**

GE = Ground, External

### Outline Drawing

<b>Dimensions:</b>	inches (mm)
<b>Instruction Manual:</b>	2408
<b>Shipping Weight:</b>	21238 18.0lbs. 8.2 kg
<b>Shipping Volume:</b>	1.0 cu. ft. 0.028 m <sup>3</sup>

