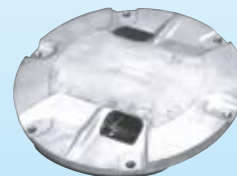


PRO III™ TCL



TCL LED 12"
1 Piece 12" Fixture

Taxiway Centerline Light-LED

Compliances: FAA AC 150/5345-46
FAA Engineering Brief 67
UFC 3-535-01

Applications

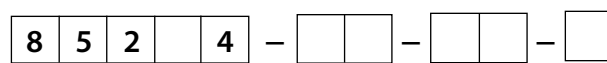
The TCL LED 12" is a taxiway centerline light that is used primarily as a ground traffic aid during periods of low visibility to guide aircraft between the runway and the parking stand. The TCL LED 12" is often a bidirectional light, but it also may be a unidirectional light on certain taxiways, such as high speed turnoffs.

Features



- ETL Certified
- Low profile, < .25" (6 mm) – FAA Style 3
- One-piece high-strength aluminum optical assembly
- Few parts to stock
- Easy to maintain – no sealant required for prism or feed-through assembly replacement
- Pressure test plug for seal integrity verification
- Long life LED
- Direct Replacement on existing circuit
- Less than 20VA at highest step for a bidirectional fixture.
- Complies with intensity curve requirements for a 3 step circuit

Ordering Information



Fixture Type:

- C = L-852C (Narrow, CAT III)
- D = L-852D (Wide, CAT III)

Color Filters:

- GX = Green/Blank
- YX = Yellow/Blank
- GG = Green/Green
- YY = Yellow/Yellow
- GY = Green/Yellow

L-823 Plug Connection:

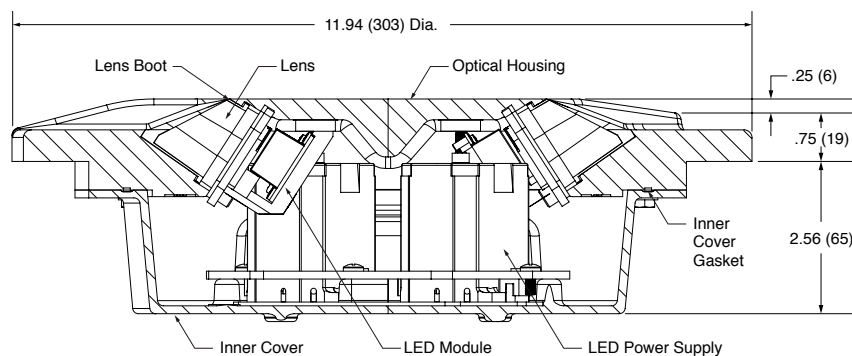
- P1 = One plug
- P2 = Two plugs (For bidirectional units only)

Options:

- 1 = Arctic Kit

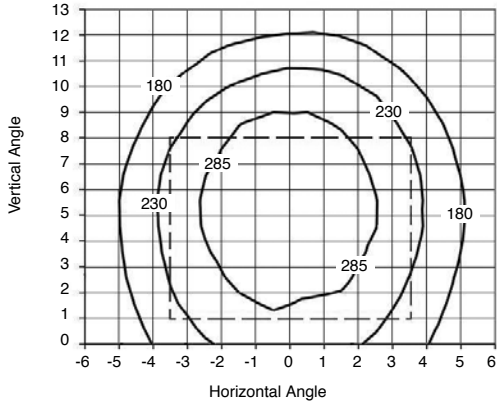
Note: Blank unit optical housing supplied with (1) lens opening only.
60 Hz Operation Only.

Outline Drawing

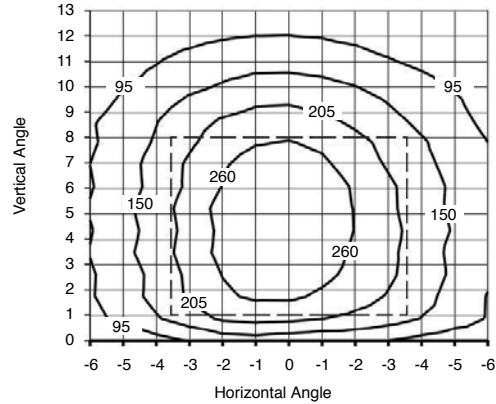


Dimensions:	inches (mm)
Instruction Manual:	2601
Shipping Weight:	23.0 lbs. 10.4 kg
Shipping Volume:	0.7 cu. ft. 0.02 m ³

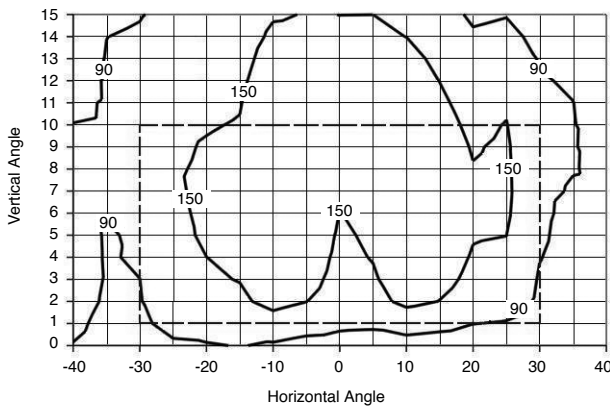
Typical Photometric Data:



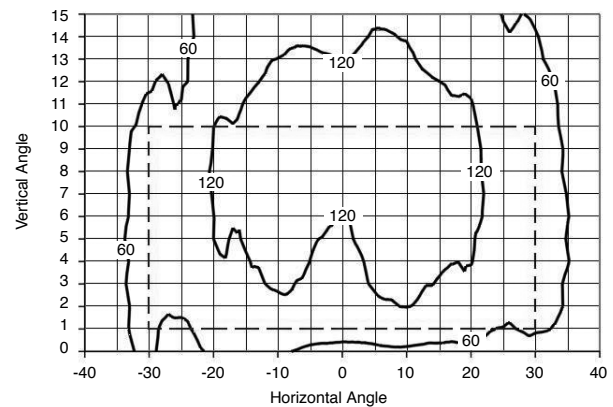
L-852C LED Green ISO Candela Plot / CD Avg: 251.65 / Max/Min: 2.32



L-852D LED Yellow ISO Candela Plot / CD Avg: 115.77 / Max/Min: 3.25



L-852D LED Green ISO Candela Plot / CD Avg: 136.84 / Max/Min: 3.21



L-852D LED Yellow ISO Candela Plot / CD Avg: 115.77 / Max/Min: 3.25

Accessories

Catalog Number	Item Description	Catalog Number	Item Description
AC24242H200303	Base: L-868B, Class I*, 24" Deep	823KP-D4-D4	Connector Kit – L-823, 8 AWG, .32" to .43" O.D.
33001	Isolation Transformer – 30/45 W, 6.6/6.6 A	10047-2154	Heat Shrink Kit – 1 Piece
33003	Isolation Transformer – 65 W, 6.6/6.6 A	19999	Lifting Tool (for outer ring)
33004	Isolation Transformer – 100 W, 6.6/6.6 A		

* Two-Piece can may be required depending upon the paving technique

Renewal Parts

Part Number	Description	Part Number	Description
21126-C*	Lens Replacement Kit, L852C	21121	Feed-Through Assembly – 2 Lamp, 1 Connector
21366**	Lens Replacement Kit, L852D	21122	Feed-Through Assembly – 1 Lamp, 1 Connector
21140	Gasket – Inner Cover	21346	Mounting Bracket
10048-25	Gasket Lubricant – 5.3 oz. Container		
21317	LED Module, L-852D Green		
21318	LED Module, L-852D Yellow		
21354	LED Module, L-852C Green		
21355	LED Module, L-852C Yellow		
10035-62***	O-Ring – Bottom Cover		

* Includes 21102-C lens, 21103 lens boot, 21101 lens retaining gasket and gasket lubricant.

** Includes 21276-AR lens, 21296 lens boot, 21101 lens retaining gasket and gasket lubricant.

*** See Instruction Manual (2601).

