

# PRO III™ TCL

## Taxiway Centerline Light-LED



**TCL LED 8"**  
8" with 12" Ring

**Compliances:** FAA AC 150/5345-46  
FAA Engineering Brief 67  
UFC 3-535-01

### Applications

The TCL LED 8" is a taxiway centerline light that is used primarily as a ground traffic aid during periods of low visibility to guide aircraft between the runway and the parking stand. The TCL LED 8" is often a bidirectional light, but it also may be a unidirectional light on certain taxiways, such as high speed turnoffs.

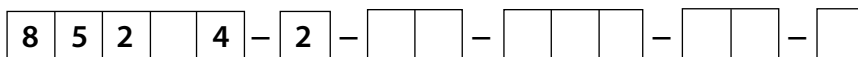
### Features



- ETL Certified
- Low profile, < .25" (6 mm) – FAA Style 3
- Unique combination of high-strength aluminum optical assembly and ductile iron outer ring for snow plow protection
- Few parts to stock
- Easy to maintain – no sealant required for prism or feed-through assembly replacement
- Pressure test plug for seal integrity verification
- Long life LED
- Direct Replacement on existing circuit
- Less than 20VA at highest step for a bidirectional fixture.
- Complies with intensity curve requirements for a 3 step circuit

<b>Dimensions:</b>	inches (mm)
<b>Instruction Manual:</b>	2609
<b>Shipping Weight:</b>	23.0 lbs. 10.4 kg
<b>Shipping Volume:</b>	0.7 cu. ft. 0.02 m <sup>3</sup>

### Ordering Information



#### Fixture Type:

C = L-852C (Narrow, CAT III)  
D = L-852D (Wide, CAT III)

#### Color Filters:

GX = Green/Blank      YY = Yellow/Yellow  
YX = Yellow/Blank    GY = Green/Yellow  
GG = Green/Green

#### Fixture Diameter:

12F = Optical assembly with 12" FAA support ring  
NSR = Optical assembly without support ring

#### L-823 Plug Connection:

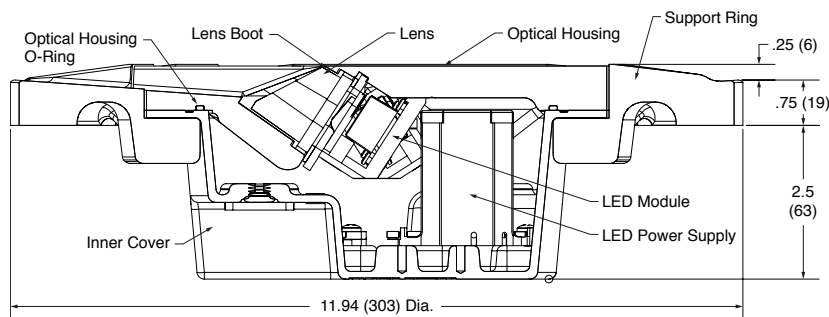
P1 = One plug  
P2 = Two plugs (For bidirectional units only)

#### Options:

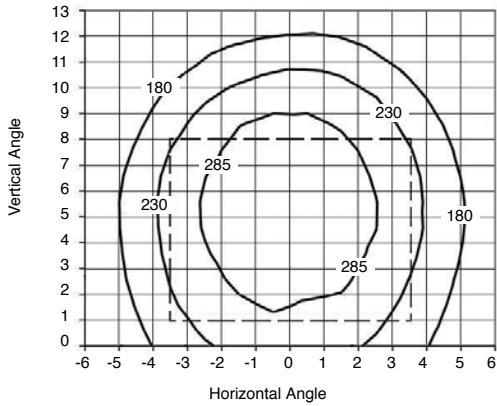
1 = Arctic Kit

Note: Blank unit optical housing supplied with (1) lens opening only.  
60 Hz Operation Only.

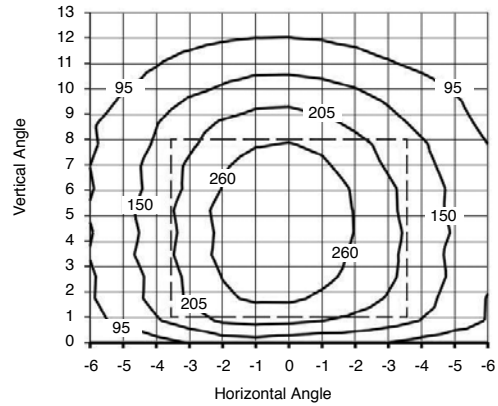
### Outline Drawing



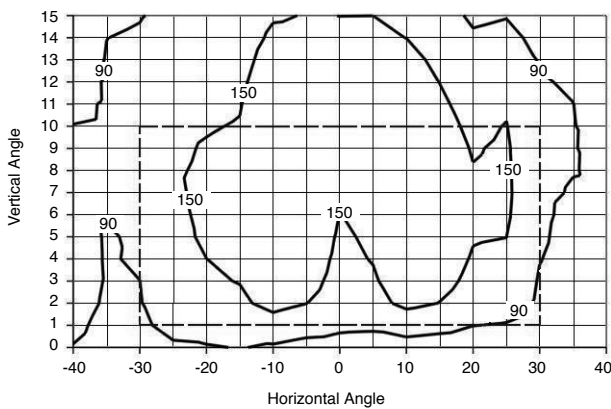
## Typical Photometric Data:



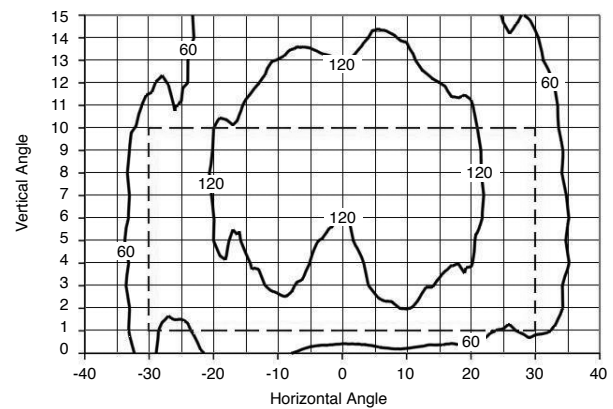
L-852C LED Green ISO Candela Plot / CD Avg: 251.65 / Max/Min: 2.32



L-852D LED Yellow ISO Candela Plot / CD Avg: 115.77 / Max/Min: 3.25



L-852D LED Green ISO Candela Plot / CD Avg: 136.84 / Max/Min: 3.21



L-852D LED Yellow ISO Candela Plot / CD Avg: 115.77 / Max/Min: 3.25

## Accessories

Catalog Number	Item Description	Catalog Number	Item Description
AC24242H200303	Base: L-868B, Class I*, 24" Deep	823KP-D4-D4	Connector Kit – L-823, 8 AWG, .32" to .43" O.D.
33001	Isolation Transformer – 30/45 W, 6.6/6.6 A	10047-2154	Heat Shrink Kit – 1 Piece
33003	Isolation Transformer – 65 W, 6.6/6.6 A	19999	Lifting Tool (for outer ring)
33004	Isolation Transformer – 100 W, 6.6/6.6 A		

\* Two-Piece can may be required depending upon the paving technique

## Renewal Parts

Part Number	Description	Part Number	Description
21126-C*	Lens Replacement Kit, L-852C	21122	Feed-through Assembly – 1 Lamp, 1 Connector
21366**	Lens Replacement Kit, L-852D	10035-62	O-ring
21317	LED Module, L-852D, Green		
21318	LED Module, L-852D, Yellow		
21354	LED Module, L-852C, Green		
21355	LED Module, L-852C, Yellow		

\* Includes 21102-C lens, 21103 lens boot, 21101 lens retaining gasket and gasket lubricant.

\*\* Includes 21276-AR lens, 21296 lens boot, 21101 lens retaining gasket and gasket lubricant.

