

TRM

Taxiway Reflective Marker

Compliances: FAA AC 150/5345-39: L-853
NASAO Guidelines




TRM

Applications

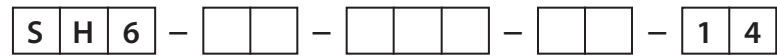
TRM tubular retroreflective markers are used to mark the edges of taxiways and ramps at airports and heliports. They are particularly useful for taxiways with centerline lights that do not have edge lights. For all airports, TRM markers provide daytime delineation of the operational areas. Therefore, they are often used to supplement edge lighting systems. All TRM markers feature a white tubular post and a 14" reflective material height.

Features

- FAA approved* 
- Inexpensive
Low initial cost, easy to install, no wiring, requires no power and practically maintenance free.
- Durable
Both the post and the reflectors remain flexible at temperature extremes.
- Highly Visible
Brilliant post colors provide 360 degree daytime visibility, high intensity reflectors provide 360 degree nighttime visibility.
- Safe
No damage to aircraft or vehicles if struck.

Ordering Information

How to Order: Reflective material on post is based on the intended airport location as indicated below. Select post height and mounting style as required.



Fixture Type:*

Post Height:
18, 24, or 30 inches

Mounting Style:
SMA = Surface Mount, Pin Lock Base
SMT = Surface Mount, Twist Lock Base
GP1 = Concrete Open End Anchor - 8 inches
GP3 = Soil Closed End Anchor - 18 inches
GP4 = Soil Open End Anchor - 18 inches

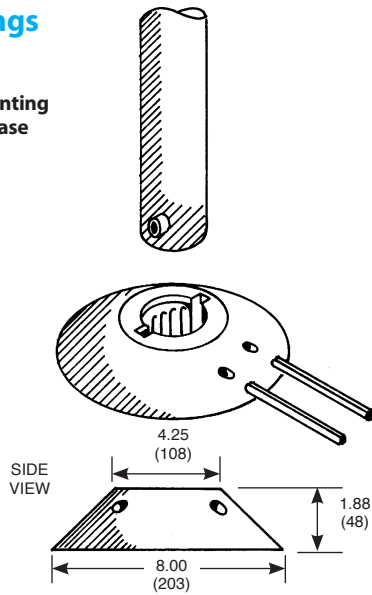
Post/Reflector Colors:
WB = Taxiway Edge Marker
White Post/Blue Reflective
WS = Runway Edge Marker
White Post/Silver(White) Reflective
WR = Runway End Marker
White Post/Red Reflective
WG = Runway Threshold Marker
White Post/Green Reflective

Reflective Material Height:
14 = 14" descending from top of post

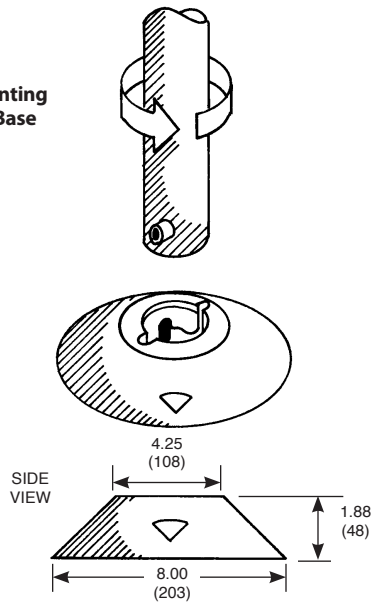
* TRM Markers are FAA approved by manufacturer Safe-Hit Corporation.

Installation Drawings

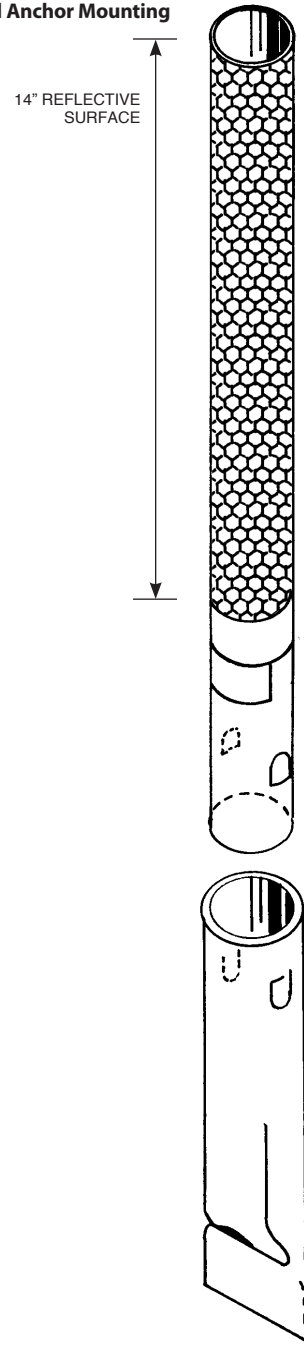
**Surface Mounting
Pin Lock Base**



**Surface Mounting
Twist Lock Base**



Soil Anchor Mounting



Renewal Parts

Part Number	Description
SHA1-08OE-GL	Concrete Open End Anchor 8 inches
SHA3-018C-GL	Soil Closed End Anchor 18 inches
SHA4-018E-GL	Soil Open End Anchor 18 inches
SHSMA-1-BL	Surface Mount Pin Lock Base
SHSMT-1-BL	Surface Mount Twist Lock Base

Note: For replacement tube only, order complete catalog number from GT-5.4 and add -T at the end.

Dimensions:	inches (mm)
Shipping Weight:	3.0 lbs. 1.4 kg.
Shipping Volume:	0.2 cu.ft. .006 cu.m.

