
Description	Page No.
Wet Location Covers Applications/Features Ordering Information	1080 1081

WLRS, WLRD and WLGf Wet Location Covers

For NEMA Configuration Receptacle Interiors
For FS and FD Cast Device Boxes
Flush Device Boxes

Application:

WLRS, WLRD and WLGf series covers are suitable for use in wet and damp locations. WLGf is suitable for damp and wet locations only when cover is closed.

WLRS and WLRD series wiring device covers are designed to meet the total NEC code requirements for wet locations – Article 410-57:

“A receptacle installed outdoors where exposed to weather or in other wet locations shall be in a weatherproof enclosure, the integrity of which is not affected when the receptacle is in use (attachment plug cap inserted).”

Use WLRS, WLRD and WLGf:

- wherever portable equipment is required
- as general purpose utility receptacle covers
- for industrial, commercial or residential use
- in areas where electrical requirements do not exceed medium duty ratings
- to mount FS and FD single-gang or multi-gang boxes having individual cover openings (see Sect. 3F for listings)
- to mount on most flush device boxes (see Accessories)

Features:

WLRS, WLRD and WLGf covers:

- self closing spring door assures protection of wiring device at all times, in wet and damp locations
- one piece EPDM gasket provides environmental protection of wiring device at all times
- Specially formulated elastomeric gasketing material offers excellent resistance to ozone, weather and temperature extremes of -50°F to 260°F
- die cast, copper-free aluminum construction with aluminum lacquer finish provides maximum corrosion resistance
- positive ground path ensured for all exposed metal parts

NEMA configuration receptacle interiors:

- comply with NEMA Standards WD-1 and WD-5
- grounded through an extra contact in all types except 3-phase applications; self grounded in duplex variety
- back and side wired
- offered in single and duplex configurations for use with standard plugs
- specification grade

Standard Materials:

- WLRS, WLRD and WLGf face plate and cover – die cast copper-free aluminum
- Cover hinge spring – stainless steel
- Cover screws – corrosion resistant metal
- Gasket – WLRS and WLRD – ethylene propylene rubber (EPDM)
- Gasket – WLGf – neoprene

Standard Finishes:

- Copper-free aluminum

Electrical Rating Ranges:

- 15 amperes; 125, 250, or 277 volts
- 20 and 30 amperes; 125, 250, 277, 480, 600, 125/250, 208/120, 480/277 or 600/347 volts

Accessories:

Flush mounting adapter – WLRA-1 required for mounting on device boxes (not required with WLGf)

Certifications and Compliances:

- ANSI/UL Standard 514A
- NEC code 410-57
- NEMA Standards WD-1, 1983 (Straight Blade) and WD-5, 1982 (Locking Type)

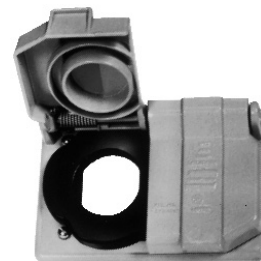


Typical installation

Spring Door Covers – with Gasket*



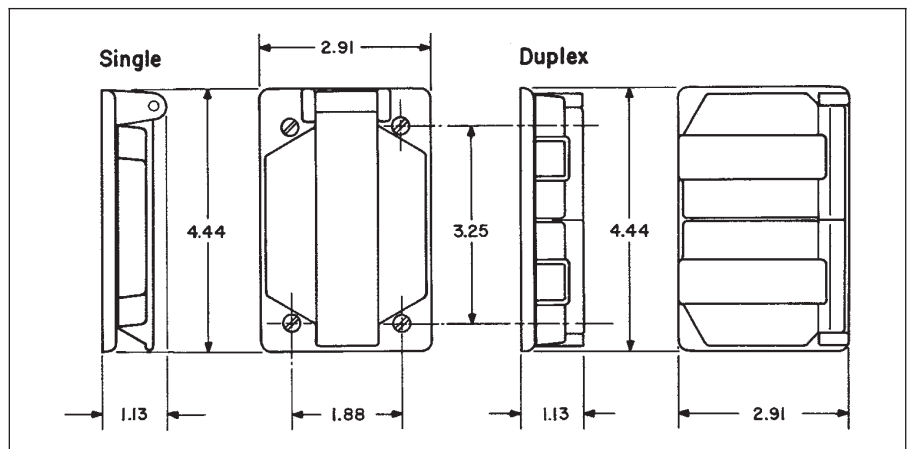
Description Single cover
Cat. # WLRS-1 and WLRD-2



Duplex cover
WLRD-1

* Patent Number 4,058,358

Dimensions



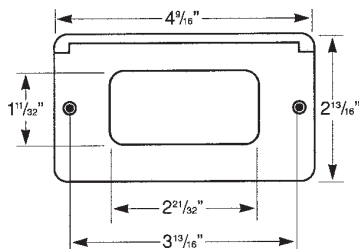
Covers with and without NEMA Configuration Receptacles

Type	Volts	NEMA Configuration	Complete Cover with Receptacle Assy. Cat. #	Spring Door Cover & Gasket Only Cat. #†	Type	Volts	NEMA Configuration	Complete Cover with Receptacle Assy. Cat. #	Spring Door Cover & Gasket Only Cat. #†
Single Device					Duplex Device				
For Non-Locking Blade Plugs									
2-Pole 3-Wire Grounding 15 Amp	125V	5-15R	WLRS-5-15	WLRS-1	2-Pole 3-Wire Grounding 15 Amp	125V	5-15R	WLRD-5-15	WLRD-1
	250V	6-15R	WLRS-6-15	WLRS-1		250V	6-15R	WLRD-6-15	WLRD-1
2-Pole 3-Wire Grounding 20 Amp	125V	5-20R	WLRS-5-20	WLRS-1	2-Pole 3-Wire Grounding 20 Amp	125V	5-20R	WLRD-5-20	WLRD-1
	250V	6-20R	WLRS-6-20	WLRS-1		250V	6-20R	WLRD-6-20	WLRD-1
For Locking Blade Plugs									
2-Pole 3-Wire Grounding 15 Amp	125V	L5-15R	WLRS-L5-15	WLRS-1	2-Pole 3-Wire Grounding 15 Amp	125V	L5-15R	WLRD-L5-15	WLRD-1
	250V	L6-15R	WLRS-L6-15	WLRS-1					
2-Pole 3-Wire Grounding 20 Amp	125V	L5-20R	WLRS-L5-20	WLRS-2					
	250V	L6-20R	WLRS-L6-20	WLRS-2					

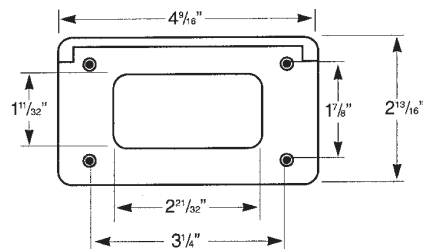
Wet Location Covers for GFCI Duplex Receptacles



WLGf – For Flush Device Boxes



WLGf-FS – For FS and FD Cast Device Boxes



† Must be used with a wet locations rated wiring device.