

Description	Page No.
Application/Selection	18
Condulet® Cast Outlet Boxes	
GRF Series	19
VXF Series	19

Application:

Round cast outlet boxes are installed at appropriate locations in threaded rigid conduit systems to:

- act as support for lighting fixtures (with hub and fixture hanging covers)
- act as junction or fuse boxes when fitted with connection blocks or fuse blocks
- act as pull outlets for conductors to be installed in a conduit system (with blank covers; gasketed or ungasketed)
- act as mounting for wiring devices (wide variety available)
- provide openings for splices and taps in conductors
- provide access to conductors for maintenance and future system changes
- connect conduit sections and change direction of conduit runs

Considerations for Selection:

- Shape required – determine from configuration of conduit system and intended function of outlet boxes
- Size required – determine from conduit and conductor size
- Material required – determine from environmental conditions (corrosive fumes, buried in concrete, etc.)

Accessories:

- Blank & hub covers – for VXF, GRF
- Fixture hangers – for VXF, GRF series
- Gaskets – for VXF, GRF series

Options:

- *Corro-free*™ epoxy powder coat. Information available on request.

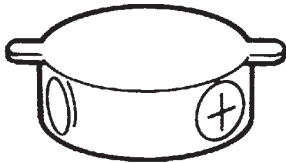
Quick Selector Chart

Series†	Conduit Sizes	Inside Dimensions		No. of Conduit Openings	Surface or Flush Mtg.	Standard Material	Finish	Covers
		Depth	Dia.					
VXF	½ and ¾	1¼	4¼	4 or 5	S	Copper-free aluminum	Epoxy Enamel	When box is used as junction or pull box, install GRF covers, gaskets.
GRF	½ to 1	1⅝ to 3⅝	3⅞	0 to 4	S – F	Feraloy iron alloy or aluminum	Electro-galvanized and aluminum paint	Blank, hub, standard 4" octagonal box covers, wiring devices, lighting fixture hangers, gaskets.

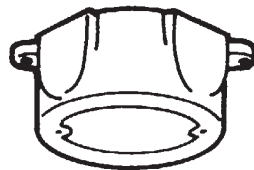
† Fit lighting fixture as follows: ARB & VGR

Shape Selector Chart

SERIES
VXF



GRF



Covers and Gaskets

2F Cast Outlet Boxes

Application:

VXF and GRF cast outlet boxes are installed in threaded rigid conduit systems to:

- act as junction boxes
- act as pull outlets
- accept round base wiring devices and covers intended for use on 4" outlet boxes (GRF boxes only)
- act as ceiling or wall mounting for *Vaporgard*™ lighting fixtures (VXF boxes)
- mount enclosed and gasketed lighting fixtures: Series ARB and VGR; Series ARB fixture hangers (GRF boxes)

Features VXF:

- Compact, shallow design
- Takes GRF covers
- Multiple tapped conduit openings and pipe plugs for versatility
- 4 hubs and 3 plugs on VXF10 and VXF20
- 5 hubs and 4 plugs on VXFT10 and VXFT20

Features GRF:

- Surface mounting. Flush mounting can be obtained by nailing box to concrete form through mounting lug
- Drilled mounting lugs
- Four conduit bosses spaced 90° apart on sides and one boss on back
- Blank or drilled and tapped bodies (with 4 side bosses tapped and plugged, plus blank back boss)

Standard Materials:

- VXF – copper-free aluminum
- GRF – *Feraloy*® iron alloy or copper-free aluminum

Standard Finishes:

- VXF – epoxy enamel
- GRF – electrogalvanized and aluminum acrylic paint

Certifications and Compliances:

- UL Standard: boxes and covers – 514A
- CSA Standard: C22.2

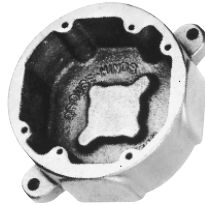


VXF Tapped Surface With Lugs 4 Hubs, 3 Plugs

Hub Size	Cat. #
1/2	VXF10
3/4	VXF20

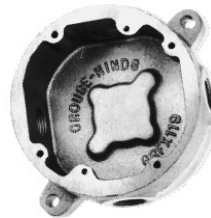
Surface With Lugs 5 Hubs, 4 Plugs

Hub Size	Cat. #
1/2	VXFT10
3/4	VXFT20



GRF Blank Surface With Lugs

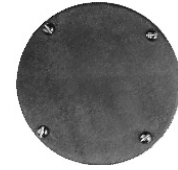
Inside Depth	Cat. #
1 3/8	GRF19
1 5/16	GRF29
3/8	GRF39



GRFX Tapped Surface With Lugs 4 Hubs, 3 Plugs Blank Back Boss

Inside Depth	Size Tap	Iron Cat. #	Aluminum Cat. #
1 3/8	1/2	GRFX119	GRF119
1 3/8	3/4	GRFX219	GRF219
2 1/16	1/2	GRFX129	GRF129
2 1/16	3/4	GRFX229	GRF229
2 1/16	1	GRFX329	GRF329
3 1/8	1/2	GRFX139	GRF139
3 1/8	3/4	GRFX239	GRF239
3 1/8	1	GRFX339	GRF339

NOTE: See lighting section 8L for complete listing of lighting fixtures and hangers.



GRF Blank Cover

Description	Steel Cat. #	Aluminum Cat. #
Surface	GRF10	GRF110



Fixture weight to 125 lbs.

GRF Hub Covers

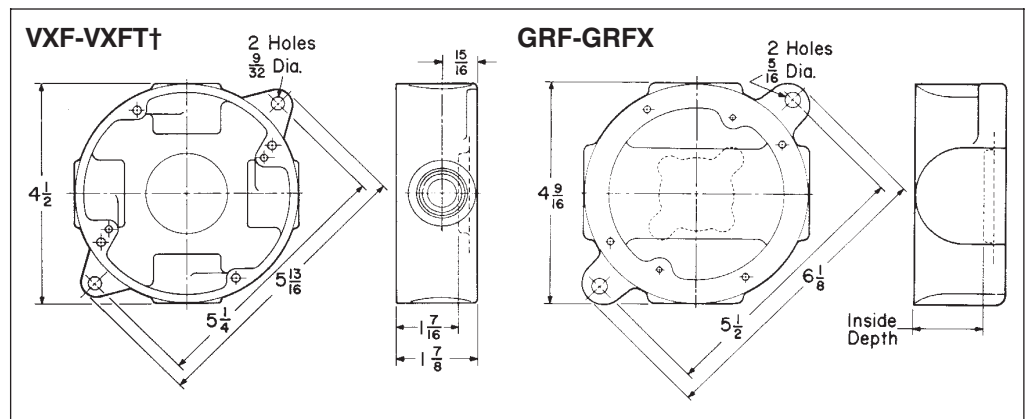
Description	Size	Iron Cat. #	Aluminum Cat. #
Surface	1/2	GRF11	GRF11-SA
Surface	3/4	GRF12	GRF12-SA



GRF Gasket

Description	Cat. #
Neoprene	GASK643

Dimensions



† VXFT has hubs on 4 sides and back; VXF has hubs on 4 sides only.