
Description	Page No.
Application	692
Industrial Luminaires	
Vaporgard™ Series	693-701
V Series	702-705
NDA Corro•Gard™ Series	706, 707

1L Incandescent Luminaires

Cl. I, Div. 2, Groups A, B, C, D
Weather Resistant

Enclosed and Gasketed General Information

Application:

Incandescent luminaires are used:

- indoors or outdoors in industrial locations
- in tunnels, building entrances or similar locations, where moisture, dirt, chemicals, vibration or rough usage are a problem
- either mounted directly in the conduit system or attached to cast outlet boxes, by means of pendant, ceiling, wall bracket or stanchion mountings

Features:

- Enclosed and gasketed luminaires that accept incandescent lamps
- Gaskets and glass globes help prevent dirt, water and corrosive atmosphere from entering the conduit system and corroding the interior parts

Standard Materials:

- Luminaires-bodies, boxes and guards – copper-free aluminum or *Feraloy*® iron alloy
- Globes – heat-resistant glass or polycarbonate
- Reflectors – Krydon® fiberglass-reinforced polyester

Standard Finishes:

- *Vaporgard*™ – copper-free aluminum-epoxy powder coat
- V SERIES, – *Feraloy* iron alloy – electrogalvanized and aluminum acrylic paint
- *Krydon* material – luminaires: gray; reflectors: high reflectance white

Size Ranges:

- Include up to 300 watt, PS-30 lamp
- ½" to 1¼" hubs

Certifications and Compliances:

- Weather resistant, NEMA 3, 3R
- NEC/CEC: Class I, Division 2
- UL Standard: 1598
- CSA Standard: C22.2

Table 500-3(d) Identification Numbers.

Maximum Temperature		Identification Number
Deg. C	Deg. F	
450	842	T1
300	572	T2
280	536	T2A
260	500	T2B
230	446	T2C
215	419	T2D
200	392	T3
180	356	T3A
165	329	T3B
160	320	T3C
135	275	T4
120	248	T4A
100	212	T5
85	185	T6

Application:

Vaporgard series incandescent luminaires are used:

- indoors or outdoors in industrial locations where enclosed and gasketed fixtures are required
- in tunnels, building entrances and similar locations, where moisture, dirt, chemicals, vibration or rough usage are a problem
- for flush or surface mounting on ceiling or wall; pendant or in conduit systems; with or without a cast outlet box

Features:

- Designed to exclude dirt, moisture and corrosive vapors from the interior of the luminaires and the conduit system
- There are no screws to remove as the shock-absorbing socket strap is keyhole slotted and removes quickly for ease of wiring
- The glass globe-guard assembly is installed and/or removed as a unit, making it necessary to handle only one piece in relamping
- There are no crevices to accumulate a dirt or dust buildup and fixture has an attractive finish with a smooth, dust and dirt shedding design
- Configured glass globe has vertical fluting and stippled bottom which provides for more even light distribution and glare elimination
- For non-hazardous locations, shatterproof plastic polycarbonate globes are available for use with the 200 watt series.
- Reversible offset socket mounting strap permits use of various size lamps while holding light center in same position for maximum light output and efficiency
- Shock absorbing medium base lamp socket

Krydon® fiberglass-reinforced polyester reflectors

- Reflectance is equivalent to the finest porcelain enamel
- Cannot corrode – no enamel to chip and rust
- Ultraviolet inhibitors are incorporated in the material to prevent discoloration and brittleness

Standard Materials:

- Bodies and guards – copper-free aluminum
- Globes
 - heat and impact resistant tempered glass
 - colored glass nontempered (G55, G56, G57, G58)
 - plastic polycarbonate (G63, G65, G67)
- Reflectors – Krydon® fiberglass-reinforced polyester

Standard Finishes:

- Bodies and guards – epoxy powder coat
- Krydon material – high reflectance white

Options:

The following options are available from the factory by adding suffix to fixture Cat. No.:

Description	Suffix to be Added to Cat. No.:
• Teflon coating on globe for increased shatter protection (G24 globe 200 watt series only)	S808
• 250V nameplate for export applications	/250
• Plastic polycarbonate globe	See page 696

Ratings (Electrical/Size):

- Up to 300 watt, PS-30 medium base lamp
- 1/2" to 1-1/4" hubs
- 120V nameplate is standard – for NEC compliance
- 250V nameplate is optional. Supplied when ordered with suffix: /250

Certifications and Compliances:

- Wet locations
- NEC/CEC: Class I, Division 2
- UL Standard: 1598
- CSA Standard: C22.2 No. 9
- UL/CSA Fixture Fitting



Class I, Division 2 Temperature Performance Data: (Based on 40° C ambient)

Lamp Watts	T-Number	Supply Wire °C
150	T2A	150°C
200	T2B	200°C
300	T2B	150°C

1L

VAPORGARD™ Incandescent Luminaires

Enclosed and Gasketed

Cl. I, Div. 2, Groups A,B,C,D
Wet Locations
NEMA 3,3R



Pendant Mount - VDA Series



Hub Size	Series	Max Lamp Size	Complete Cat.# with globe/guard
1/2"	150	150 watt	VDA15GP✓
3/4"	150	A-21	VDA25GP✓
1"	150		VDA35GP✓
1/2"	200	200 watt	VDA12GP✓
3/4"	200	A-23	VDA22GP✓
1"	200		VDA32GP✓
1/2"	300	300 watt	VDA13GP✓
3/4"	300	PS-25 & PS-30	VDA23GP✓
1"	300		VDA33GP✓

Luminaire Components Catalog Nos.

Pendant Body	Globe	Guard
VDA15✓	G54✓	P50✓
VDA25✓	G54✓	P50✓
VDA35✓	G54✓	P50✓
VDA12✓	G24✓	P21✓
VDA22✓	G24✓	P21✓
VDA32✓	G24✓	P21✓
VDA13✓	G34/G251✓	P22✓
VDA23✓	G34/G251✓	P22✓
VDA33✓	G34/G251✓	P22✓

Thru-Feed - VDC Series



Hub Size	Series	Max Lamp Size	Complete Cat.# with globe/guard
1/2"	150	150 watt	VDC15GP✓
3/4"	150	A-21	VDC25GP✓
1/2"	200	200 watt	VDC12GP✓
3/4"	200	A-23	VDC22GP✓
1/2"	300	300 watt	VDC13GP✓
3/4"	300	PS-25 & PS-30	VDC23GP✓

Thru Feed Body	Globe	Guard
VDC15✓	G54✓	P50✓
VDC25✓	G54✓	P50✓
VDC12✓	G24✓	P21✓
VDC22✓	G24✓	P21✓
VDC13✓	G34/G251✓	P22✓
VDC23✓	G34/G251✓	P22✓

Ceiling Mount for Recessed 4" Round Box - VXH Series



Hub Size	Series	Max Lamp Size	Complete Cat.# with globe/guard
1/2"	150	150 watt A-21	VXH15GP✓
1/2"	200	200 watt A-23	VXH12GP✓
1/2"	300	300 watt PS-25 & PS-30	VXH13GP✓

Lamp Socket Body	Globe	Guard
VXH15✓	G54✓	P50✓
VXH12✓	G24✓	P21✓
VXH13✓	G34/G251✓	P22✓

Ceiling Mount with Junction Box - VXHF Series



Hub Size	Series	Max Lamp Size	Complete Cat.# with globe/guard
1/2"	150	150 watt	VXHF15GP✓
3/4"	150	A-21	VXHF25GP✓
1/2"	200	200 watt	VXHF12GP✓
3/4"	200	A-23	VXHF22GP✓
1/2"	300	300 watt	VXHF23GP✓
3/4"	300	PS-25 & PS-30	VXHF23GP✓

Lamp Socket Body	Globe	Guard	Junction Box
VXH15✓	G54✓	P50✓	VXF10✓
VXH15✓	G54✓	P50✓	VXF20✓
VXH12✓	G24✓	P21✓	VXF10✓
VXH12✓	G24✓	P21✓	VXF20✓
VXH13✓	G54/G251✓	P22✓	VXF20✓
VXH13✓	G34/G251✓	P22✓	VXF20✓

✓ - available with Lightning Service™
See Section G for complete details

Incandescent Fixtures



VAPORGARD™ Incandescent Luminaires

Enclosed and Gasketed

Cl. I, Div. 2, Groups A,B,C,D
Wet Locations
NEMA 3,3R

1L



Wall Mount - VXHT Series



Hub Size	Series	Max Lamp Size	Complete Cat. # with globe/guard
1/2"	150	150 watt	VXHT15GP✓
3/4"	150	A-21	VXHT25GP✓
1/2"	200	200 watt	VXHT12GP✓
3/4"	200	A-23	VXHT22GP✓
1/2"	300	300 watt	VXHT13GP✓
3/4"	300	PS-25 & PS-30	VXHT23GP✓

Luminaire Components Catalog Nos.

Wall Bracket Mounting Module	Body	Globe	Guard
VXT10✓	VXH15✓	G54✓	P50✓
VXT20✓	VXH15✓	G54✓	P50✓
VXT10✓	VXH12✓	G24✓	P21✓
VXT20✓	VXH12✓	G24✓	P21✓
VXT10✓	VXH13✓	G34/G251✓	P22✓
VXT20✓	VXH13✓	G34/G251✓	P22✓

Wall Mount - Adapter Kit

Mounts wall mount VXHT Series
to a 4" Round Box.
Cat. No. VXT-K1

Wall Mount with Junction Box VXHBF Series



Hub Size	Series	Max Lamp Size	Complete Cat. # with globe/guard
1/2"	150	150 watt	VXHBF15GP✓
3/4"	150	A-21	VXHBF25GP✓
1/2"	200	200 watt	VXHBF12GP✓
3/4"	200	A-23	VXHBF22GP✓
1/2"	300	300 watt	VXHBF13GP✓
3/4"	300	PS-25 & PS-30	VXHBF23GP✓

Wall Bracket Mounting Module	Body	Globe	Guard	Junction Box
VXT10✓	VXH15✓	G54✓	P50✓	VXF10✓
VXT20✓	VXH15✓	G54✓	P50✓	VXF20✓
VXT10✓	VXH12✓	G24✓	P21✓	VXF10✓
VXT20✓	VXH12✓	G24✓	P21✓	VXF20✓
VXT10✓	VXH13✓	G34/G251✓	P22✓	VXF10✓
VXT20✓	VXH13✓	G34/G251✓	P22✓	VXF20✓

Stanchion Mount - VXHA Series



Hub Size	Series	Max Lamp Size	Complete Cat. # with globe/guard
1 1/4"		150 watt A-21	VXHA45GP✓
1 1/4"		200 watt A-23	VXHA42GP✓
1 1/4"		300 watt PS-25 & PS-30	VXHA43GP✓

Stanchion Mounting Module	Body	Globe	Guard
VXA4✓	VXH15✓	G54✓	P50✓
VXA4✓	VXH12✓	G24✓	P21✓
VXA4✓	VXH13✓	G34/G251✓	P22✓

✓ – available with Lightning Service™
See Section G for complete details

1L
Incandescent
Fixtures



**Medium Base
Lamp Receptacle
with Strap
Shock Absorbing**

Cat. #
V84✓



Reflectors



Dome



30° Angle

Max. Lamp Size	Dome Cat. #	30° Angle Cat. #
150 watt, A-21	RD64✓	RA64✓
200 watt, A-23, A-25, PS-25 and 300 watt, PS-30	RD71✓	RA71✓

Hub Size	Cat. #
1/2	VXFT10✓
3/4	VXFT20✓



VXFT - 5 Hubs, 4 Plugs

Hub Size	Cat. #
1/2	VXFT10✓
3/4	VXFT20✓

For use when rear wiring entry is required. Use in lieu of VXF10 or VXF20.

✓ - available with Lightning Service™ See Section G for complete details

Globes† and Guards



150 and 200W globe



300W globe

Maximum Lamp Size		
150 Watt, A-21	200 Watt, A-23, A-25, PS-25	300 Watt, PS-25 PS-30‡

Color	Cat. #	Cat. #	Cat. #
Clear (heat-resisting)	G54✓	G24 ♦ ✓	G34✓ G251✓
Green	G55*✓	G25	
Blue	G56*✓	G26	
Red	G57*✓	G27	
Amber	G58*✓	G28	



Guard P50 and P21



Guard P22

Guards for Glass Globes (Not for use with plastic globes)

Cat. #	Maximum Lamp Size
P50✓	150 watt, A-21
P21✓	200 watt, A-23, A-25, PS-25
P22✓	300 watt, PS-30 (with G251 only)

Mounting Adapter Kit

• Allows for the mounting of non-Crouse-Hinds outlet boxes to the VXT20 wall mount bracket and VXH ceiling mount bracket

Cat. #
VXT-K1

Plastic Globes ①



Shatterproof polycarbonate plastic globe**

Application:

For use in:
• food processing plants and canneries, dairies, breweries and bakeries
• emergency lighting

Features:

- Shatterproof, which precludes contamination of food products with broken particles of glass.
- Designed to comply with U.S. Dept. of Agriculture specification for food processing plants.
- Provides protection against vandalism, with resultant lower replacement and maintenance costs.
- Particularly adaptable for use on emergency police or fire alarm boxes.
- Same size as G24 series glass globes. Existing installations can be changed to plastic globes simply by replacing globe.
- For use with 200 watt series luminaires such as VDA22, etc.
- For use without guard.

Color	Max. Wattage, Lamp Size	Cat. #
Natural	200 watt, A-23	G63 ✓
Green	200 watt, A-23	G65
Red	200 watt, A-23	G67

Note: Polycarbonate globes for non-hazardous locations only.



VXT-K1

♦ G24 is available with a TEFLON® coating for increased shatter protection by adding suffix S808.

* With G55, G56, G57, G58 color globes, maximum lamp size is 60 watt for outdoor applications.

** Prior to wash-down, globes must be cool.

† All glass globes are configured type, having fluted side and stippled bottom.

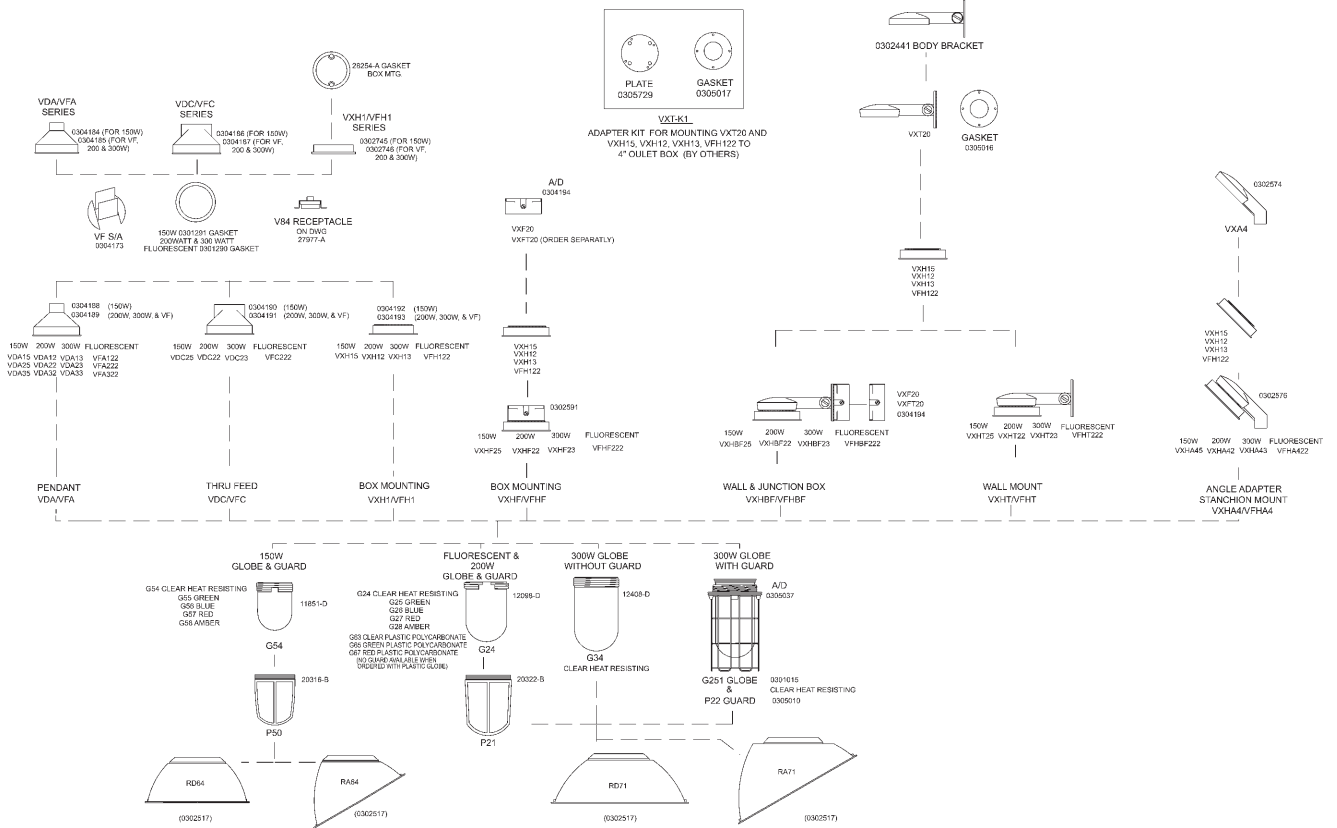
‡ Globe G251 required when guard P22 is used. Use globe G34 when guard is not used.

① Lamp must be mounted in vertical position base up to 45°C (stanchion) only.

VAPORGARD™ Series Incandescent Luminaires

Family Tree

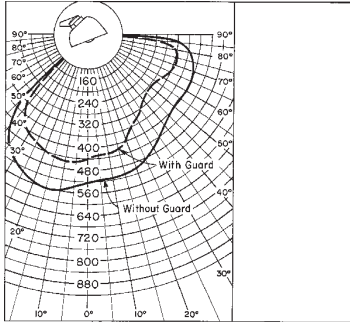
1L



✓ – available with Lightning Service™ See Section G for complete details



Luminaire VXHA45GPRA
Lamp: 150W/A-21
Total Bare Lamp Lumens: 2850

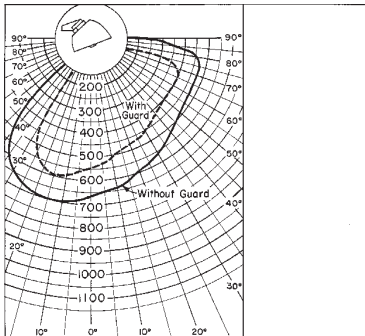


Measurements taken from A-A' plane.



	Total Lumens	Eff. %
With Guard	1490	52.3
Without Guard	1881	66.0

Luminaire VXHA42GPRA
Lamp: 300W/PS-30
Total Bare Lamp Lumens: 6300



Measurements taken from A-A' plane.

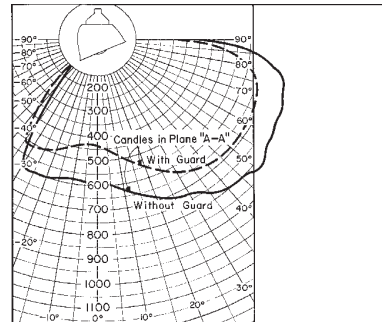


	Total Lumens	Eff. %
With Guard	3630	57.6
Without Guard	4271	67.8

Luminaire With Globe, 30° Angle Reflector and With or Without Guard

Lamp: 100W/A-21 through 200W/A-23
Total Bare Lamp Lumens: 4000

NOTE: All data provided is for 200W/A-23 incandescent lamp. Use following candlepower/lumen multipliers for other lamp sizes: 100W 0.42; 150W 0.7



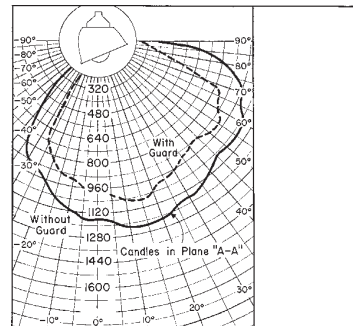
Measurements taken from A-A' plane.



Lamp Size	Without Guard		With Guard	
	Total Lumens	Eff. %	Total Lumens	Eff. %
100W	1141		949	
150W	1890		1582	
200W/A-23	2700	67.5	2260	56.5
200W/PS-25	2174		1819	

Luminaire With Globe, 30° Angle Reflector and With or Without Guard

Lamp: 300W/PS-30
Total Bare Lamp Lumens: 6000



Measurements taken from A-A' plane.



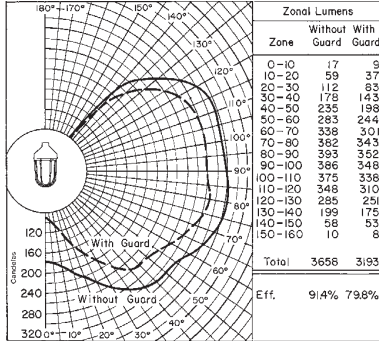
	Total Lumens	Eff. %
With Guard	3360	56.0
Without Guard	3954	65.9

Lamp: 100W/A-21 through 200W/PS-25
Total Bare Lamp Lumens: 4000

To determine number and placement of luminaires see Lighting Selector Guide, pages 665 to 689.

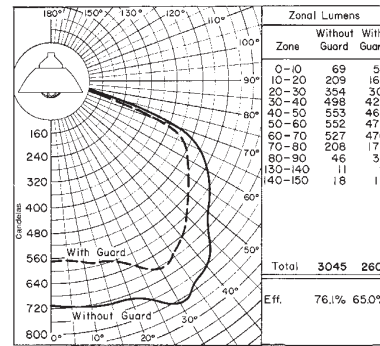
NOTE: All data provided is for 200W/A-23 incandescent lamp. Use following candela/lumen multipliers for other lamp sizes: 100W 0.42; 150W 0.7; 200W/PS-25 0.82

Luminaire With Globe and With or Without Guard



Example: Zonal Lumens for 200W/A-23 lamp with guard for 0-40° is 272 Zonal Lumens for 150W lamp with guard for 0-40° is 272 x 0.7 = 190.

Luminaire With Globe, Dome Reflector and With or Without Guard



Example: Zonal Lumens for 200W/A-23 lamp with guard for 0-40° is 948 Zonal Lumens for 150W lamp with guard for 0-40° is 948 x 0.7 = 664.

Coefficient of Utilization

Effective Floor Cavity Reflectance 20%

% Reflectance	Room Cavity Ratio	Eff. Ceil. Wall				
		1	2	3	4	5
80	50	.654	.549	.471	.407	.353
	30	.608	.486	.400	.333	.282
	10	.567	.432	.345	.277	.228
70	50	.603	.506	.434	.375	.326
	30	.563	.449	.370	.309	.260
	10	.523	.401	.320	.257	.211
50	50	.509	.424	.363	.312	.273
	30	.477	.380	.313	.260	.220
	10	.449	.341	.271	.218	.179
30	50	.422	.349	.297	.255	.223
	30	.399	.315	.259	.214	.180
	10	.376	.285	.225	.180	.147
10	50	.343	.280	.237	.202	.176
	30	.324	.253	.206	.170	.142
	10	.307	.230	.180	.143	.115
80	50	.315	.279	.249	.226	.201
	30	.244	.210	.183	.162	.140
	10	.193	.164	.137	.118	.100
70	50	.289	.257	.230	.208	.185
	30	.225	.194	.170	.150	.130
	10	.177	.150	.127	.110	.093
50	50	.242	.215	.192	.175	.156
	30	.189	.163	.143	.126	.109
	10	.150	.126	.106	.092	.077
30	50	.198	.175	.158	.143	.128
	30	.155	.134	.116	.103	.088
	10	.123	.102	.086	.075	.061
10	50	.157	.140	.124	.114	.101
	30	.122	.106	.091	.080	.068
	10	.096	.080	.066	.057	.045

Coefficient of Utilization

Effective Floor Cavity Reflectance 20%

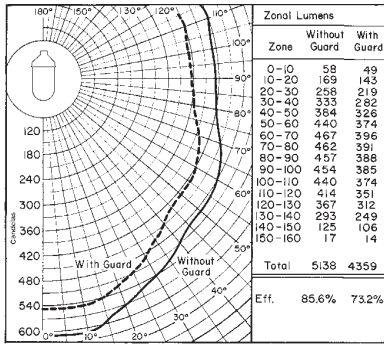
% Reflectance	Room Cavity Ratio	Eff. Ceil. Wall				
		1	2	3	4	5
80	50	.604	.522	.454	.395	.347
	30	.576	.480	.404	.340	.290
	10	.552	.444	.364	.298	.248
70	50	.591	.512	.445	.387	.339
	30	.565	.472	.398	.336	.286
	10	.543	.440	.361	.296	.246
50	50	.564	.490	.428	.372	.327
	30	.544	.457	.387	.327	.280
	10	.526	.428	.354	.292	.245
30	50	.541	.470	.411	.358	.315
	30	.525	.444	.377	.319	.273
	10	.509	.419	.348	.288	.241
10	50	.521	.452	.396	.345	.304
	30	.507	.429	.367	.311	.268
	10	.494	.409	.342	.283	.238
80	50	.309	.274	.244	.222	.193
	30	.253	.220	.192	.170	.142
	10	.214	.184	.155	.135	.110
70	50	.303	.270	.241	.219	.189
	30	.250	.217	.191	.168	.142
	10	.211	.181	.154	.135	.110
50	50	.291	.260	.232	.211	.184
	30	.245	.212	.186	.166	.139
	10	.209	.179	.153	.134	.109
30	50	.281	.250	.225	.204	.178
	30	.239	.209	.182	.162	.136
	10	.207	.177	.152	.133	.107
10	50	.272	.243	.217	.198	.173
	30	.234	.205	.179	.159	.134
	10	.205	.175	.150	.131	.106

Lamp: 300W/PS-30

Total Bare Lamp Lumens: 6000

To determine number and placement of luminaires, see Lighting Selector Guide, pages 665 to 689.

Luminaire With Globe Only

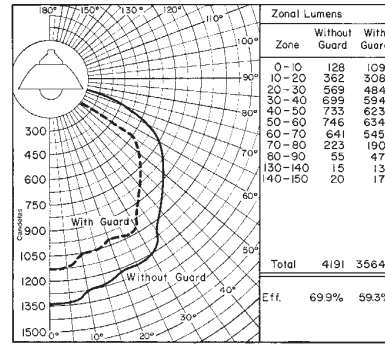


Coefficient of Utilization

Effective Floor Cavity Reflectance 20%

% Reflectance	Room Cavity Ratio	% Reflectance					
		Eff. Ceil.	Wall	1	2	3	
80	1	50	.692	.582	.499	.431	.373
	30	30	.644	.515	.425	.354	.300
	10	10	.602	.459	.367	.295	.243
70	1	50	.636	.534	.458	.396	.345
	30	30	.594	.475	.392	.327	.276
	10	10	.552	.425	.339	.273	.223
50	1	50	.532	.444	.380	.327	.286
	30	30	.500	.398	.328	.272	.230
	10	10	.470	.358	.285	.229	.188
30	1	50	.437	.362	.308	.264	.230
	30	30	.412	.326	.268	.222	.186
	10	10	.389	.295	.234	.186	.152
10	1	50	.350	.285	.241	.205	.179
	30	30	.331	.258	.210	.172	.144
	10	10	.313	.235	.183	.145	.116
% Reflectance	Room Cavity Ratio	% Reflectance					
		Eff. Ceil.	Wall	6	7	8	
80	1	50	.333	.295	.263	.238	.212
	30	30	.258	.223	.194	.170	.147
	10	10	.205	.173	.145	.125	.105
70	1	50	.305	.271	.241	.219	.194
	30	30	.238	.204	.178	.157	.136
	10	10	.188	.158	.133	.115	.097
50	1	50	.253	.224	.200	.181	.162
	30	30	.198	.170	.148	.131	.113
	10	10	.157	.132	.110	.095	.079
30	1	50	.204	.180	.162	.146	.130
	30	30	.160	.138	.119	.105	.090
	10	10	.127	.105	.088	.075	.061
10	1	50	.158	.141	.124	.114	.101
	30	30	.123	.106	.091	.080	.067
	10	10	.096	.079	.066	.055	.044

Luminaire With Globe and Dome Reflector



Coefficient of Utilization

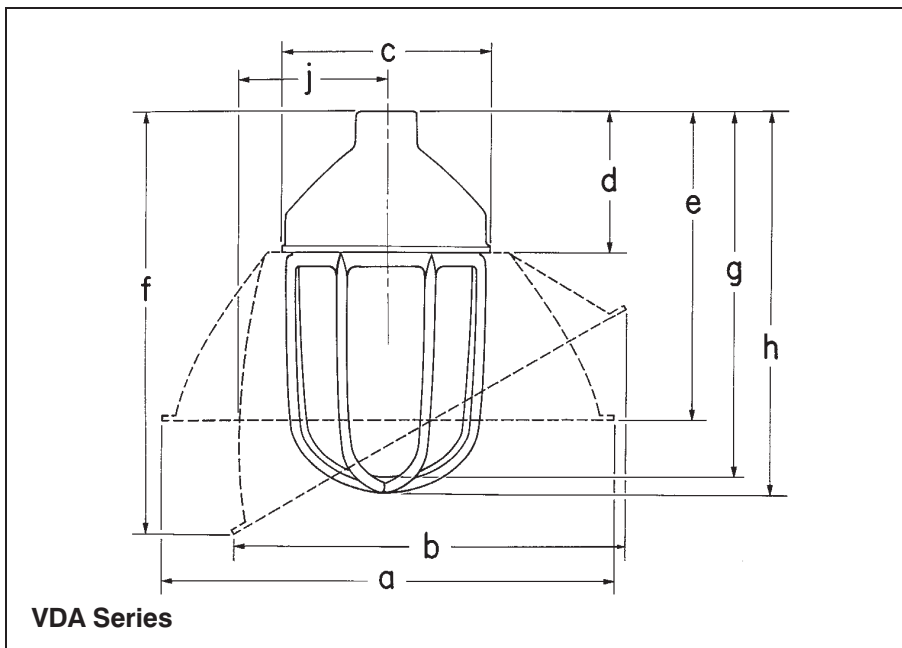
Effective Floor Cavity Reflectance 20%

% Reflectance	Room Cavity Ratio	% Reflectance					
		Eff. Ceil.	Wall	1	2	3	
80	1	50	.766	.671	.587	.514	.454
	30	30	.734	.621	.528	.448	.385
	10	10	.706	.579	.482	.398	.334
70	1	50	.750	.657	.577	.505	.443
	30	30	.720	.610	.521	.444	.380
	10	10	.694	.573	.477	.395	.332
50	1	50	.717	.630	.555	.485	.429
	30	30	.693	.592	.507	.432	.372
	10	10	.672	.558	.468	.390	.329
30	1	50	.688	.606	.535	.468	.414
	30	30	.670	.575	.494	.422	.364
	10	10	.651	.546	.460	.385	.325
10	1	50	.663	.584	.516	.452	.400
	30	30	.647	.557	.482	.412	.357
	10	10	.632	.534	.452	.379	.321
% Reflectance	Room Cavity Ratio	% Reflectance					
		Eff. Ceil.	Wall	6	7	8	
80	1	50	.404	.360	.322	.293	.254
	30	30	.337	.294	.258	.229	.191
	10	10	.289	.250	.212	.185	.151
70	1	50	.397	.354	.317	.288	.249
	30	30	.333	.290	.256	.227	.191
	10	10	.285	.246	.211	.185	.151
50	1	50	.383	.342	.306	.279	.243
	30	30	.326	.284	.250	.223	.187
	10	10	.283	.244	.209	.184	.150
30	1	50	.371	.330	.297	.270	.235
	30	30	.320	.280	.245	.218	.184
	10	10	.281	.241	.208	.182	.148
10	1	50	.359	.322	.288	.262	.229
	30	30	.313	.275	.241	.215	.181
	10	10	.277	.239	.206	.180	.146

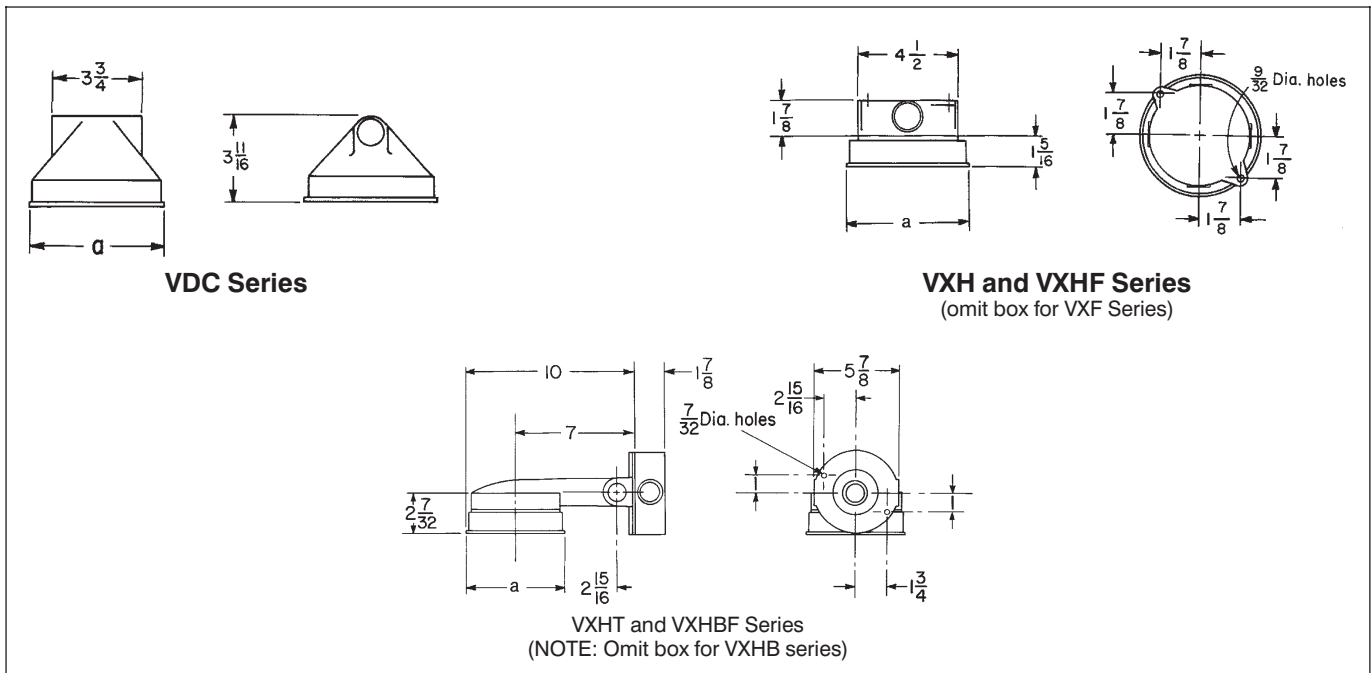
VAPORGARD™ Incandescent Luminaire

1L

Dimensions



	150 watt, A-21	200 watt, PS-25	300 watt, PS-30
a	12 ⁷ / ₈	16 ⁷ / ₈	16 ⁷ / ₈
b	11 ¹ / ₈	14 ⁵ / ₈	14 ⁵ / ₈
c	5 ³ / ₁₆	6	6
d	3 ¹³ / ₁₆	4	4
e	8 ⁷ / ₁₆	9 ¹ / ₈	9 ¹ / ₈
f	12	14	14
g	8 ¹³ / ₁₆	10 ¹ / ₂	12
h	9	10 ¹³ / ₁₆	13 ¹ / ₈
j	4 ¹ / ₂	6 ¹ / ₁₆	6 ¹ / ₁₆



Max. Lamp Size
150 watt, A-21 a 5³/₁₆

200 watt, A-23, A-25, PS-25
and 300 watt, PS-30 6

1L Incandescent
Fixtures

1L

V-Series Incandescent Luminaires

Enclosed and Gasketed

Wet Locations
NEMA 3,3R

Application:

V-Series incandescent luminaires are used:

- indoors or outdoors in industrial locations where enclosed and gasketed fixtures are required
- in tunnels, building entrances and similar locations, where moisture, dirt, chemicals, vibration or rough usage are a problem
- for flush or surface mounting on ceiling or wall, with or without a cast outlet box, pendant or in conduit systems

Features:

- Designed to exclude dirt, moisture and corrosive vapors from the interior of the fixtures and the conduit system.
- Several body styles provide a wide variety of mountings, while all use the same globes, guards and optional accessories.
- Rugged and corrosion resistant.

Standard Materials:

- Bodies – *Feraloy*® iron alloy
- Guards – copper-free aluminum
- Globes – glass
- Reflectors – *Krydon*® fiberglass-reinforced polyester material reflectors

Standard Finishes:

- *Feraloy* iron alloy – electrogalvanized and aluminum acrylic paint
- Copper-free aluminum – natural
- *Krydon*® material – high reflectance white

Size Ranges:

- ¾ hubs
- Maximum wattage lamp:
 - Glass globes 150W, A23
 - Polycarbonate 75W, A33

Options:

Description	Suffix
<i>Corro-free</i> ™ epoxy powder coat	S752
plastic polycarbonate globe	Order separately. See below

Certifications and Compliances:

- Wet locations
- NEMA: 3, 3R
- UL Standard: 1598



VDA



VC



VG



VJ



VD

Description

With plain globe and guard

Cat. #
VDA2759

Cat. #
VC2759

Cat. #
VG2759

Cat. #
VJ2759

Cat. #
VD2759

Without globe and guard

VDA275

VC275

VG275

VJ275

VD275

Glass Globes



V63

Color
Clear (heat resisting)
Green
Blue
Red
Amber

Cat. #
V63
VN72
VN73
VN75
VN76

Guard For Glass Globes



V911

Globe Size **Cat. #**
6¾" V911

Polycarbonate Globes

Application:

- Polycarbonate globes are used:
- in food processing plants, canneries, dairies, breweries and bakeries
 - in emergency lighting
 - emergency police and fire alarm boxes

Features:

- Polycarbonate globes are shatterproof, preclude contamination of food products with broken particles of glass.
- Comply with U.S. Dept. of Agriculture specification for food processing plants.



V470

Color **Cat. #**
Natural V470
Red V475



Dome



Angle

Reflectors

Krydon® – fiberglass-reinforced polyester
(Must be used with V 911 Guard)

Lamp Size	Dome	
	Dia.	Cat. #
50-150W	12"	RD60
Lamp Size	30° Angle	
	Dia.	Cat. #
50-150W	12"	RA60

NOTE: Angle reflector cannot always be used with bracket style fixtures. Check distance from mounting surface to center of body against reflector size to determine if reflector will fit.



Receptacles (medium base)

Cat. #
V46

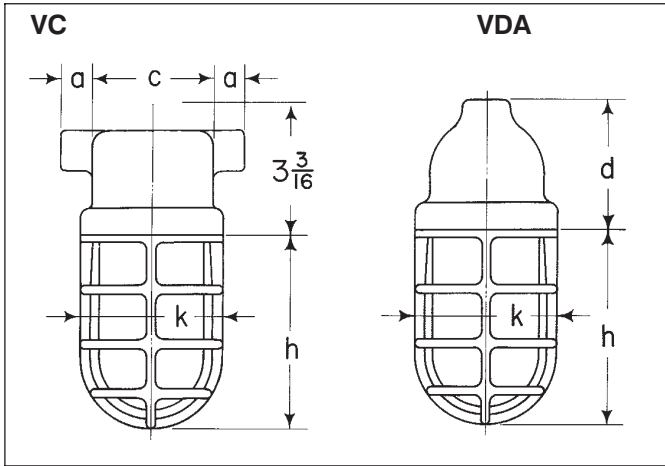


Gasket

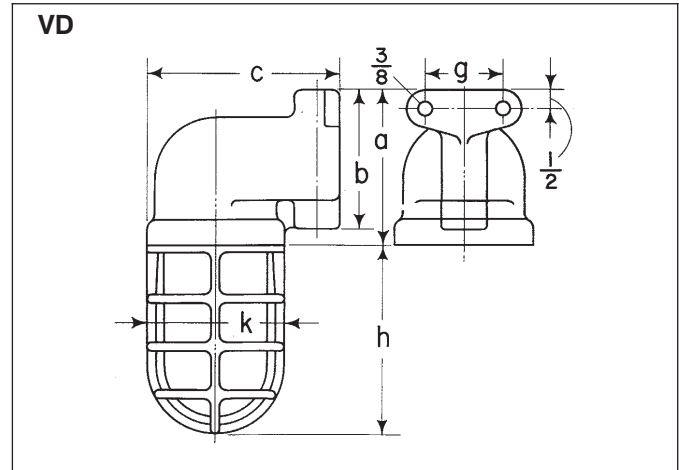
Cat. #
GASK213

1L V-Series Incandescent Luminaires

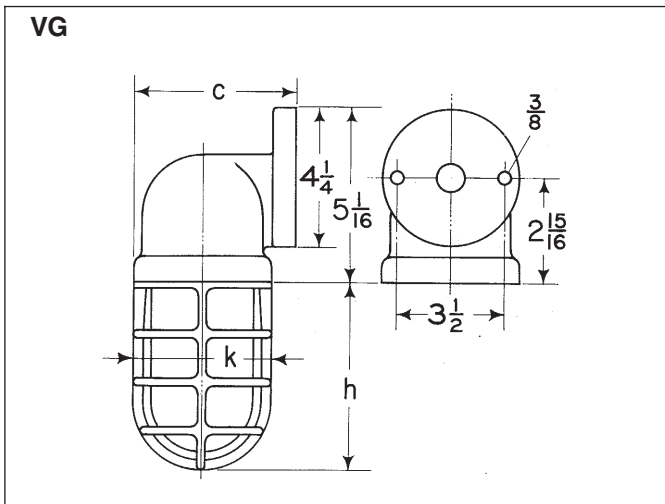
Enclosed and Gasketed Dimensions



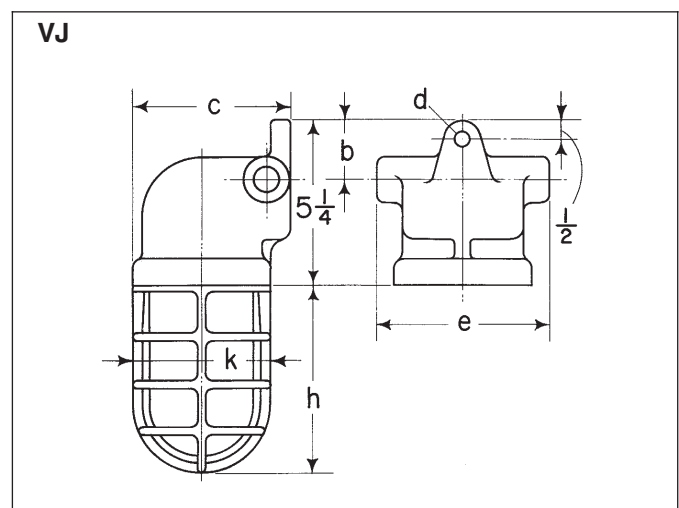
Hub Size	a	c	d	h	k
1/2	7/8	3 1/16	4	6 3/16	4 9/16
3/4	7/8	3 1/16	4	6 3/16	4 9/16



Hub Size	a	b	c	g	h	k
1/2	4 15/16	4 3/16	5 15/16	2 1/2	6 3/16	4 9/16
3/4	4 15/16	4 3/16	6 3/16	2 3/4	6 3/16	4 9/16



Hub Size	c	h	k
1/2	4 7/8	6 3/16	4 9/16
3/4	4 7/8	6 3/16	4 9/16



Hub Size	b	c	d	e	h	k
1/2	1 13/16	4 7/8	3/8	5 3/8	6 3/16	4 9/16
3/4	1 15/16	4 7/8	3/8	5 3/8	6 3/16	4 9/16

V-Series Incandescent Luminaires

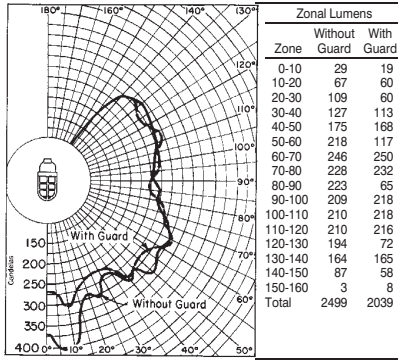
Enclosed and Gasketed

Luminaires V-Series

Lamp: 150W/A23 Clear

Total Bare Lamp Lumens: 2800

To determine number and placement of fixtures, see Lighting Selector Guide pages 665 to 689.



NOTE: All data provided is for 150W incandescent lamp. Use following candela/lumen multipliers for the other lamp sizes:
100W – 0.61

Example: Zonal lumens for 150W lamp for 0-40° with guard is 252.

Coefficient of Utilization

Effective Floor Cavity Reflectance 20%

% Reflectance Eff. Ceil.	Wall	Room Cavity Ratio				
		1	2	3	4	5
80	50	.659	.558	.479	.416	.361
	30	.623	.504	.417	.349	.298
	10	.591	.458	.367	.298	.248
70	50	.609	.515	.442	.384	.336
	30	.577	.466	.386	.324	.275
	10	.545	.426	.342	.278	.230
50	50	.515	.434	.372	.321	.282
	30	.491	.397	.328	.274	.234
	10	.469	.364	.293	.238	.197
30	50	.429	.359	.307	.264	.232
	30	.411	.332	.274	.228	.194
	10	.395	.307	.245	.198	.165
10	50	.350	.290	.246	.211	.185
	30	.337	.269	.221	.183	.156
	10	.325	.251	.199	.160	.132

% Reflectance Eff. Ceil.	Wall	Room Cavity Ratio				
		6	7	8	9	10
80	50	.325	.290	.261	.236	.211
	30	.259	.227	.199	.176	.153
	10	.212	.183	.157	.136	.116
70	50	.299	.268	.241	.219	.194
	30	.240	.210	.186	.164	.143
	10	.197	.170	.146	.127	.108
50	50	.252	.226	.203	.185	.165
	30	.205	.178	.158	.140	.122
	10	.169	.145	.125	.109	.092
30	50	.208	.186	.169	.153	.137
	30	.170	.149	.131	.117	.101
	10	.141	.121	.105	.091	.076
10	50	.167	.151	.135	.124	.110
	30	.136	.121	.106	.094	.081
	10	.114	.098	.084	.073	.060

Application:

Corro•Gard™ NDA series Luminaires made of Krydon® fiberglass-reinforced polyester are used to provide incandescent lighting:

- indoors or outdoors in industrial wet or dirty locations and where corrosion is a problem
- in marine applications, above and below deck, where salt spray corrosion shortens fixture life
- in food and beverage industries where frequent wash-downs are necessary
- for walkways, bridges, tunnels, security lighting, cold storage facilities, garages, coal handling areas, shipboard, processing plants, and nuclear generating plant containment areas

Features:

- Luminaire is molded Krydon® for excellent corrosion, heat, and impact resistance.
- Accommodates all popular incandescent lamps up to 300W, PS-25.
- Attractive modern design and color complement other Corro•Gard products.
- Weighs only 8½ lbs. complete with lamp and globe.
- Medium screw base porcelain lamp socket has a vibration absorbing mounting bracket.
- All joints are gasketed to ensure watertightness.
- Configured glass globe reduces glare.
- Corro•Gard reflectors made of Krydon® reflect light better than porcelainized steel; do not yellow or discolor with age; cannot chip, peel, rust or dent.

Standard Materials:

- Bodies and reflectors – Krydon® fiberglass-reinforced polyester material
- Globes – configured heat-resistant glass

Standard Finishes:

- Bodies – natural
- Reflectors – natural, high reflectance white

Options:

- TEFLON® coating on G24 globe for increased shatter protection. add suffix S808.



NDA Series Ordering Information For Pendant Mounting

Hub Size	Max. Lamp Size	Body Only Cat. #	Globe Only Cat. #	Body With Globe† Cat. #
¾"	300W PS-25 Med. Base 120V	NDA22	G24	NDA22G

Temperature Performance Data: (based on 40°C ambient)

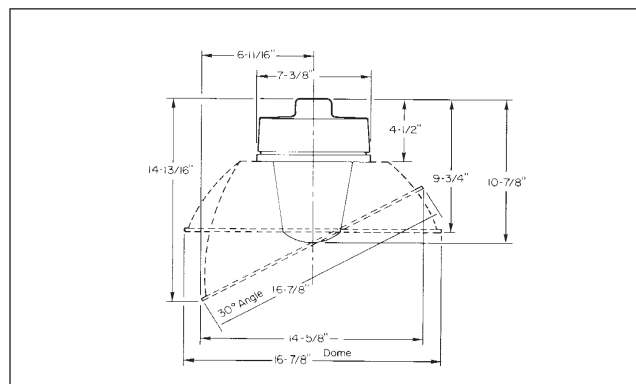
Max. Lamp Size	T-Number	Supply Wire (°C)
300W	T2A	150°C

(Note: Fixtures are not marked with T-Number.)

Certifications and Compliances:

- UL Standard: 1598
- Wet Locations
- Suitable for 40°C ambient temperature

Dimensions



Accessories & Parts Globe



Color	Cat. #
Clear (heat resisting)	G24
Green	G25
Blue	G26
Red	G27
Amber	G28

Guard



Cat. # P21

Replacement Lamp Receptacles with Strap Shock Absorbing

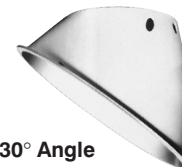


Cat No. NV84

Reflectors (Order separately)



Dome



30° Angle

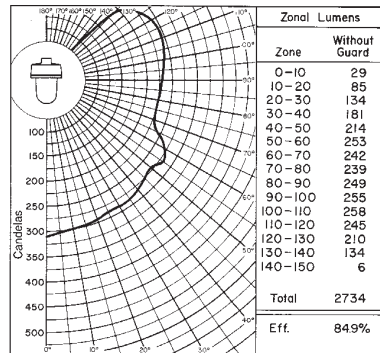
Type	Cat. #
Dome	RD725 (RD75)
30° Angle	RA725 (RA75)

Lamp: 200W/PS-25

To determine number and placement of luminaires, see Lighting Selector Guide, pages 665 to 689.

NOTE: All data provided is for incandescent with 200W/PS-25 lamp. See Multipliers for other wattages and lamp types.

Luminaire With Globe

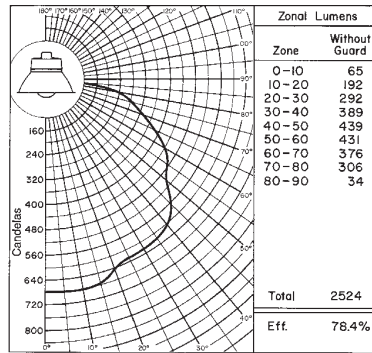


Coefficient of Utilization

Effective Floor Cavity Reflectance 20%

Eff. Ceil. Wall	Room Cavity Ratio					
	1	2	3	4	5	
80	50	.762	.651	.565	.494	.433
	30	.715	.585	.491	.416	.358
	10	.673	.529	.433	.357	.300
70	50	.708	.605	.526	.461	.406
	30	.667	.546	.460	.390	.335
	10	.626	.496	.407	.336	.282
50	50	.608	.519	.452	.395	.292
	30	.576	.473	.399	.339	.250
	10	.547	.432	.356	.295	.248
30	50	.516	.439	.382	.335	.297
	30	.492	.404	.342	.290	.250
	10	.469	.372	.307	.254	.215
10	50	.433	.366	.319	.279	.247
	30	.413	.339	.287	.244	.211
	10	.396	.315	.259	.215	.181
0	0	.354	.277	.226	.184	.154
% Reflectance	Room Cavity Ratio					
Eff. Ceil. Wall	6	7	8	9	10	
80	50	.389	.348	.312	.284	.253
	30	.312	.273	.240	.214	.185
	10	.258	.222	.190	.166	.141
70	50	.363	.324	.291	.266	.236
	30	.293	.256	.226	.201	.175
	10	.242	.208	.179	.157	.133
50	50	.312	.280	.252	.230	.205
	30	.256	.223	.198	.177	.153
	10	.213	.183	.158	.139	.117
30	50	.266	.238	.216	.197	.175
	30	.220	.193	.170	.152	.131
	10	.185	.158	.137	.121	.100
10	50	.223	.201	.180	.166	.147
	30	.185	.163	.144	.129	.110
	10	.156	.135	.116	.102	.084
0	0	.132	.112	.096	.084	.068

Luminaire With Globe and Dome Reflector

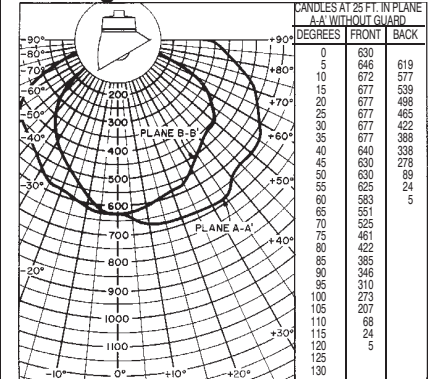


Coefficient of Utilization

Effective Floor Cavity Reflectance 20%

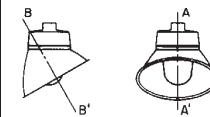
Eff. Ceil. Wall	Room Cavity Ratio					
	1	2	3	4	5	
80	50	.809	.703	.615	.541	.481
	30	.773	.647	.550	.470	.408
	10	.742	.601	.499	.416	.354
70	50	.791	.688	.604	.531	.470
	30	.758	.636	.542	.465	.403
	10	.729	.595	.494	.413	.315
50	50	.756	.659	.580	.510	.455
	30	.729	.617	.528	.453	.395
	10	.706	.579	.485	.408	.349
30	50	.726	.634	.558	.492	.439
	30	.705	.599	.514	.442	.385
	10	.684	.566	.477	.402	.344
10	50	.699	.610	.539	.475	.424
	30	.663	.580	.501	.431	.378
	10	.580	.553	.468	.396	.340
0	0	.647	.536	.451	.378	.323
% Reflectance	Room Cavity Ratio					
Eff. Ceil. Wall	6	7	8	9	10	
80	50	.431	.386	.347	.317	.277
	30	.360	.317	.280	.250	.211
	10	.309	.269	.231	.204	.169
70	50	.423	.380	.342	.312	.272
	30	.356	.312	.277	.247	.211
	10	.305	.265	.231	.204	.169
50	50	.408	.368	.331	.302	.265
	30	.348	.305	.272	.243	.207
	10	.303	.263	.229	.202	.167
30	50	.396	.355	.321	.294	.257
	30	.342	.301	.266	.238	.203
	10	.300	.260	.227	.201	.165
10	50	.383	.346	.311	.285	.250
	30	.334	.295	.262	.235	.200
	10	.297	.258	.225	.199	.163
0	0	.281	.243	.210	.184	.150

Luminaire With Globe and 30° Angle Reflector



Total Lumens
2595

Eff. %
80.6



Multipliers for Other Lamps

Photometric data was developed using a 200 watt/PS-25 inside frosted incandescent lamp (3,220 lumens). For other incandescent watts/lamp size, use the following conversion factors (multipliers):

Watts	Lamp Size	Lamp Lumens	Conversion Factor
100	A-19	1750	.54
100	A-21	1690	.52
150	A-21	2880	.89
150	PS-25	2680	.83
200	A-23	4010	1.25
300	PS-25	6360	1.98

Example: Zonal lumens for 200W/PS-25 luminaire with globe and dome reflector for 30-40° is 389. Zonal lumens for 100W/A-21 luminaire with globe and dome reflector for 30-40° is 389 x .52 = 202.