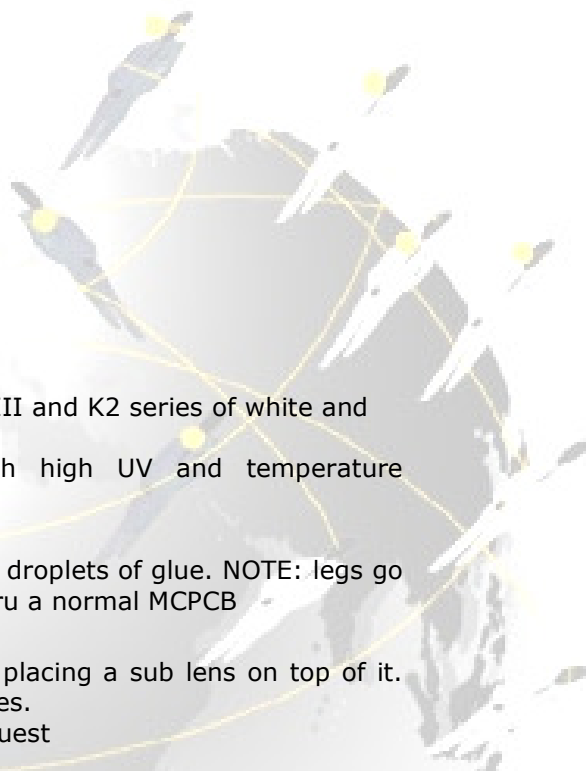


APOLLO-3 Lenses for Luxeon®



- Use with Lumileds' lambertian Luxeon® I, III and K2 series of white and monochromate LEDs
- Lens material optical grade PMMA with high UV and temperature resistance (105°C/220°F)
- High optical efficiency, >85%
- No lens holder. Fastening to heat sink with droplets of glue. NOTE: legs go into the PCB by 1.2 mm only, do not go thru a normal MCPCB
- Diameter 50 mm (MR16)
- Medium lens is made using spot lens and placing a sub lens on top of it. Spot and wide lenses do not have sub lenses.
- Mechanical CAD models available upon request

LENS TYPES

NAME	ORDERING CODE	FWHM Angle
APOLLO-3 spot	APOLLO-3-S (n. 10256)	±4°
APOLLO-3 medium	APOLLO-3-M (n. 10371)	±14°
APOLLO-3 wide	APOLLO-3-W (n. 10363)	±23°



APOLLO-3-S



APOLLO-3-M

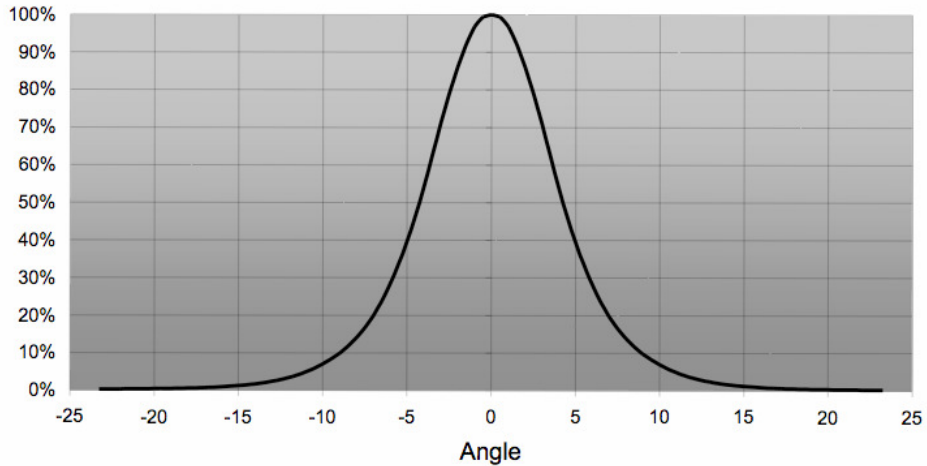


APOLLO-3-W

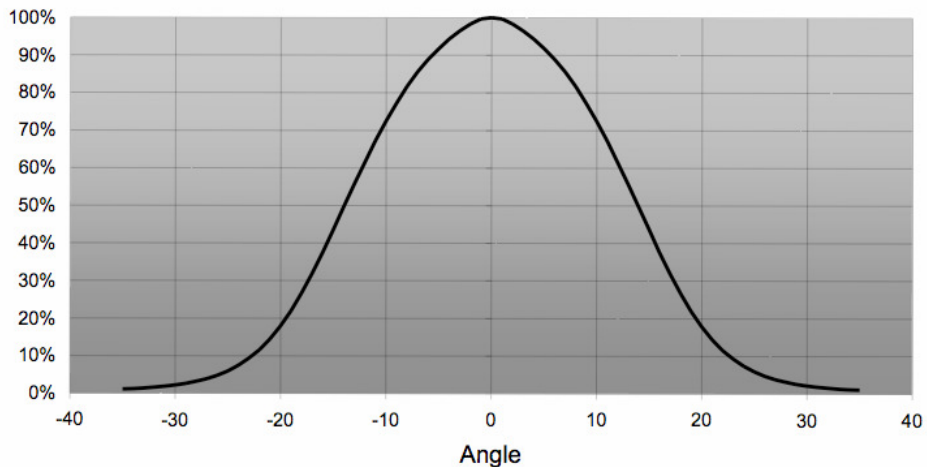
© Ledil Oy - PRELIMINARY - Subject to change without prior notice

MEASUREMENT DATA

Relative intensity of APOLLO-3-S

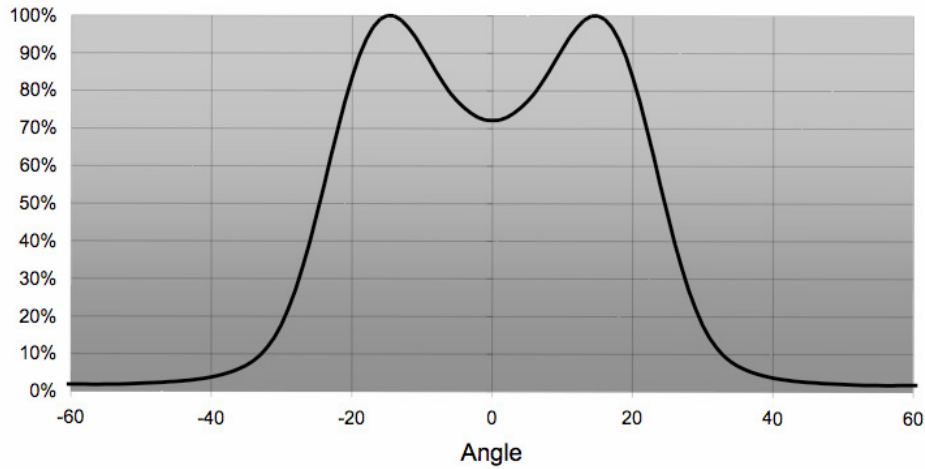


Relative intensity of Apollo-3-M



© Ledil Oy – PRELIMINARY - Subject to change without prior notice

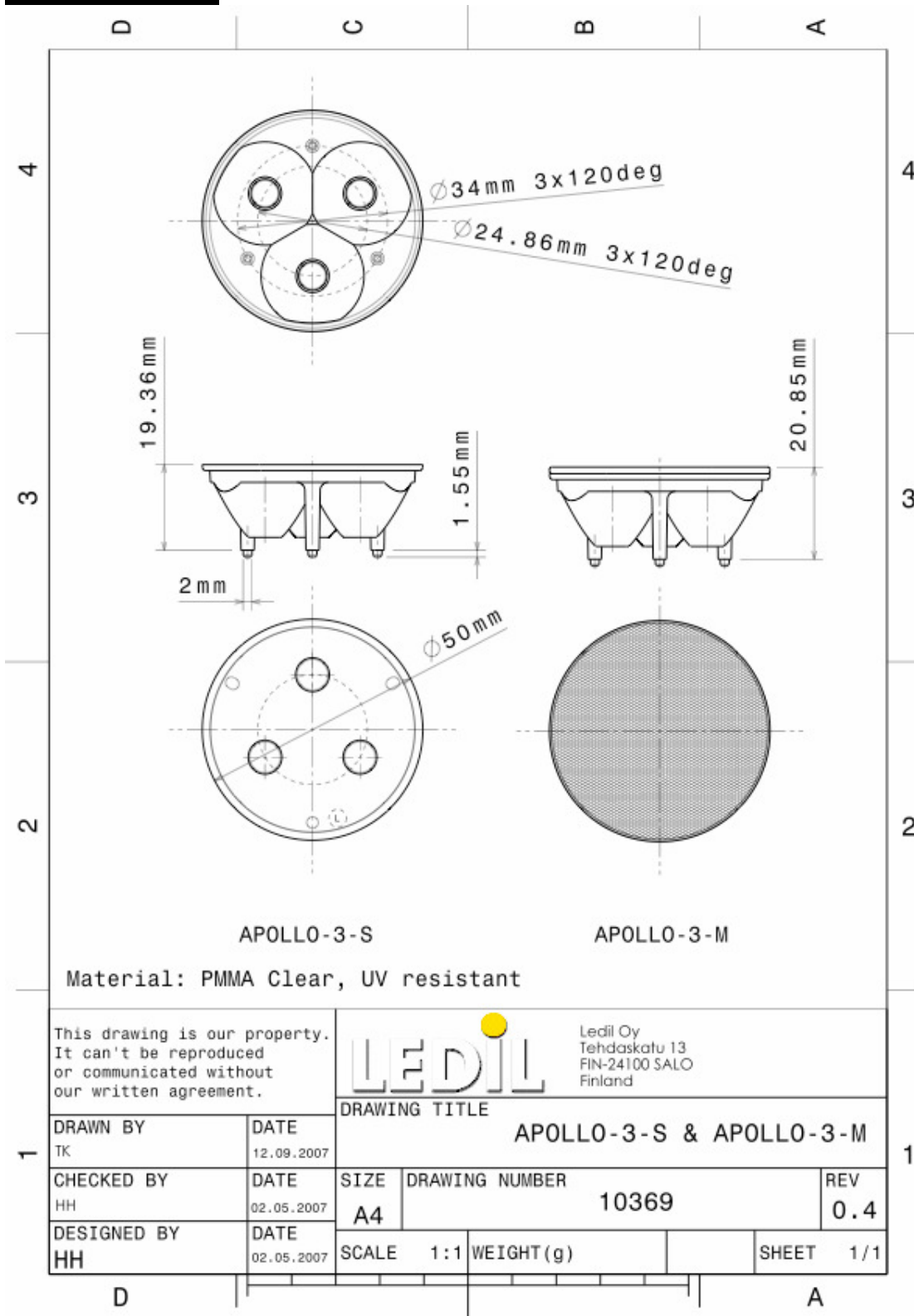
Relative intensity of APOLLO-3-W



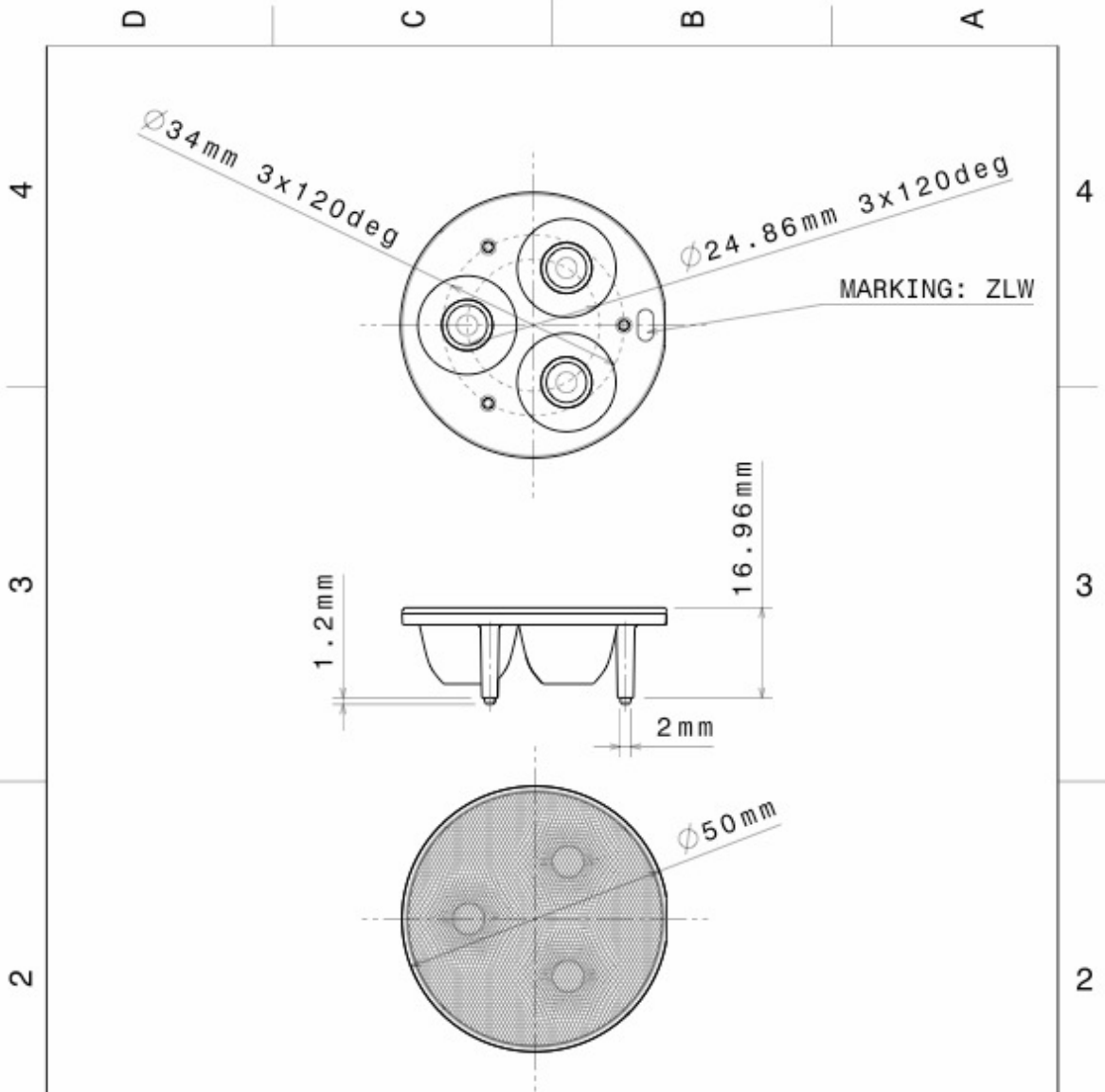
PACKAGING

Lenses are packed in carton boxes of 264 pieces in each box.

DRAWINGS



© Ledil Oy - PRELIMINARY - Subject to change without prior notice



Material: PMMA Clear

This drawing is our property.
It can't be reproduced
or communicated without
our written agreement.

Ledil Oy
Tehdaskatu 13
FIN-24100 SALO
Finland

DRAWING TITLE

Apollo3-W

DRAWN BY	DATE
TK	14.09.2007

CHECKED BY	DATE
HH	29.05.2007

DESIGNED BY	DATE
HH	29.05.2007

SIZE	DRAWING NUMBER	REV
A4	10363	0.2

SCALE	1:1	WEIGHT (g)	SHEET	1/1
-------	-----	------------	-------	-----