

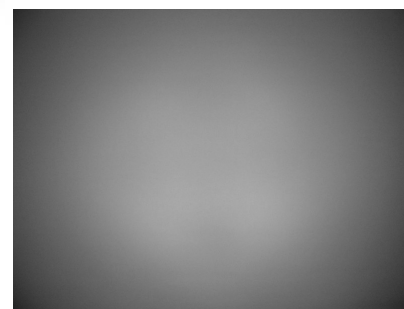
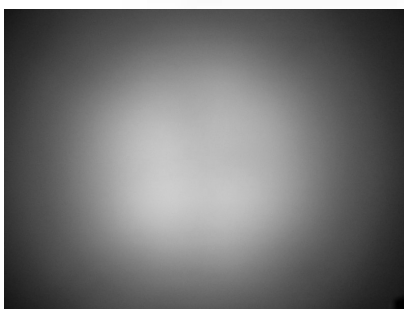
Boom reflector for Acriche AX3221 & P7 LEDs



- Specially designed for Seoul Semiconductor's Acriche series of LEDs. Works very well with Seoul Semiconductor's P7 LED too.
- Special care taken to make a uniform white or warm white illumination. Lenses work well with other colors, too.
- Lens material optical grade metallized ABS. Allows use of high current and temperature conditions
- Best available optical efficiency, up to 90%.

LENS TYPES

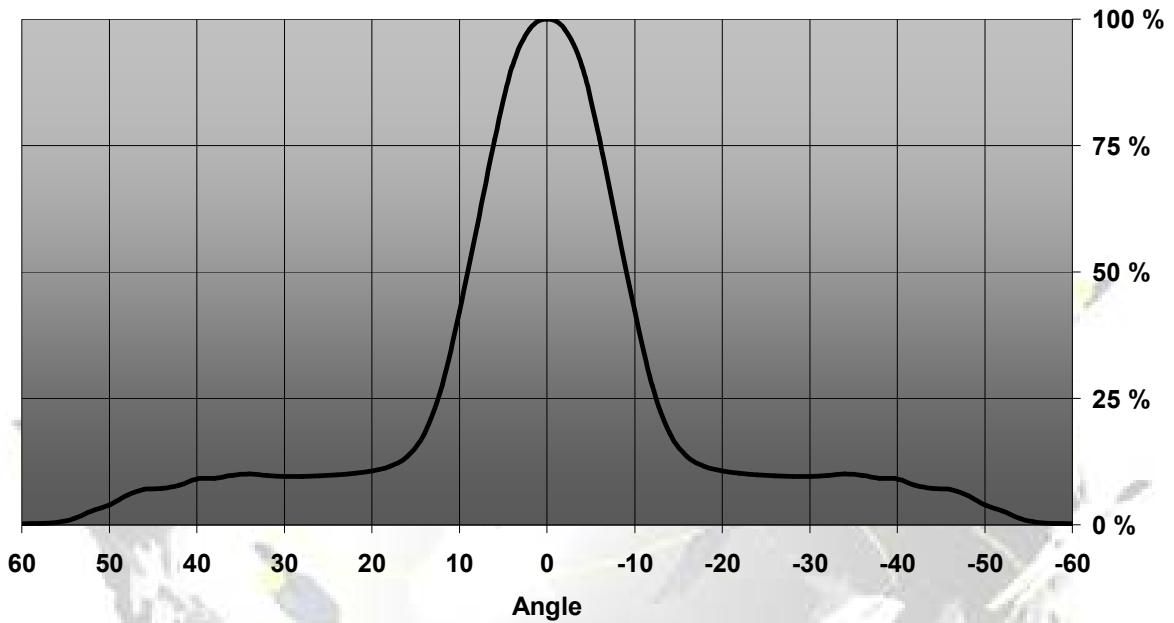
| NAME | ORDERING CODE | FWHM Angle |
|--------|-----------------------|------------|
| BOOM-S | BOOM-P7-S (n. C10588) | ±9° |
| BOOM-M | BOOM-P7-M (n. C10589) | ±19° |
| BOOM-W | BOOM-P7-W (n. C10590) | ±34° |



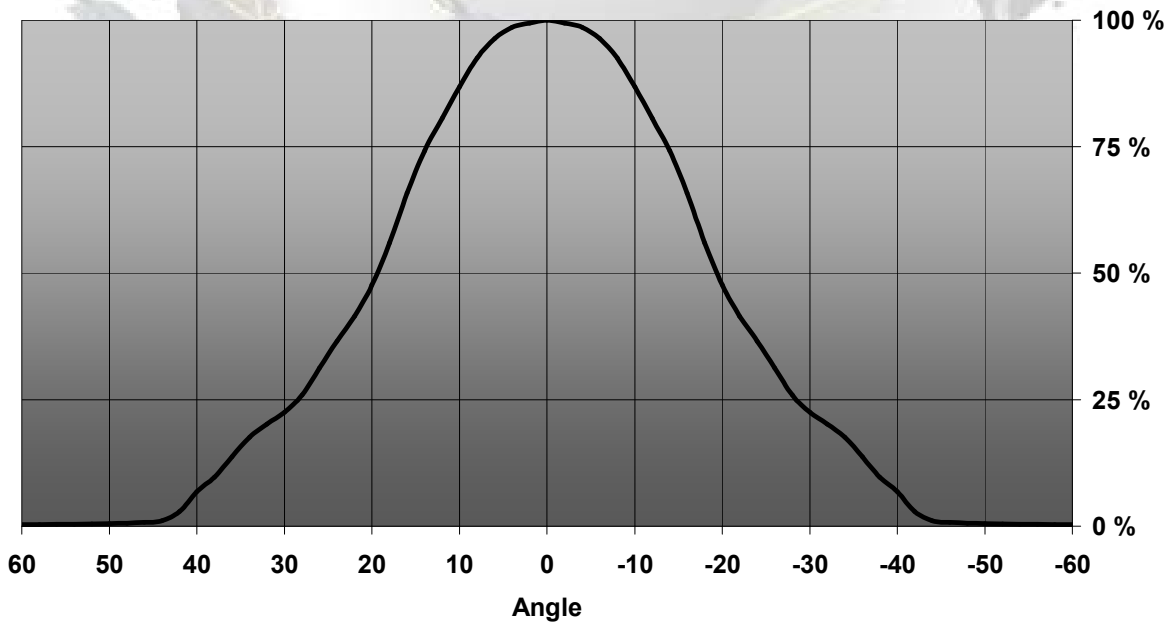
© Ledil Oy – PRELIMINARY - Subject to change without prior notice

MEASUREMENT DATA

Relative Intensity of BOOM-P7-S

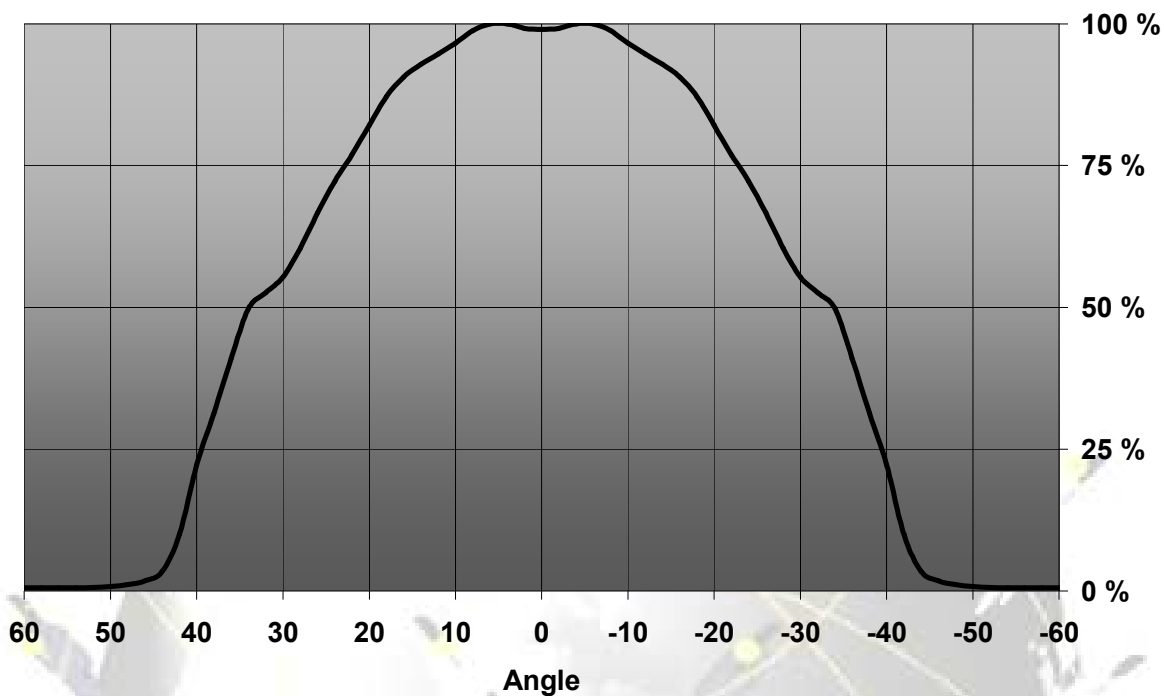


Relative Intensity of BOOM-P7-M



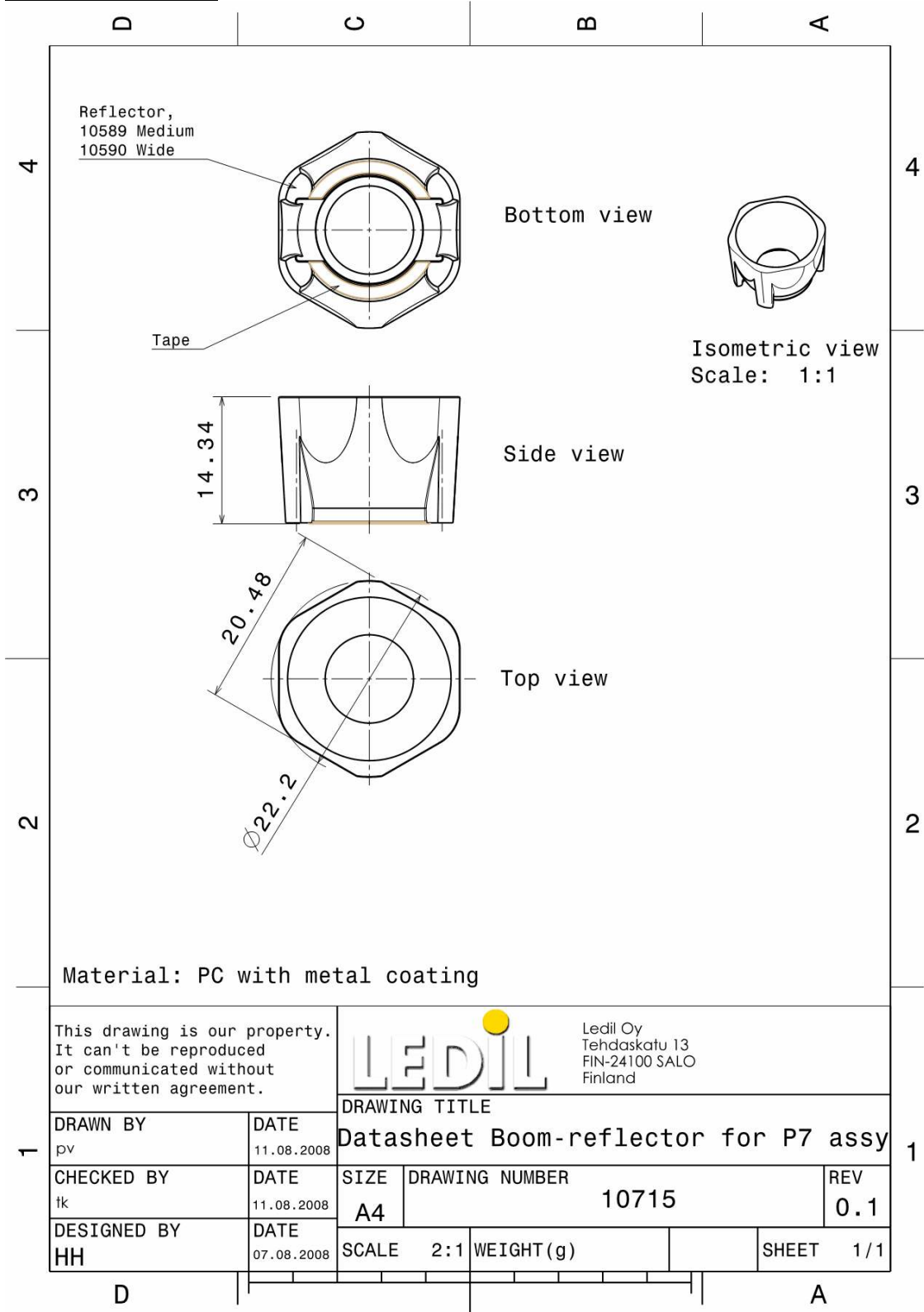
© Ledil Oy – PRELIMINARY - Subject to change without prior notice

Relative Intensity of BOOM-P7-W



© Ledil Oy – PRELIMINARY - Subject to change without prior notice

DRAWINGS



© Ledil Oy – PRELIMINARY - Subject to change without prior notice