

CUTE-4 MR11 lenses for CREE XR-E LEDs



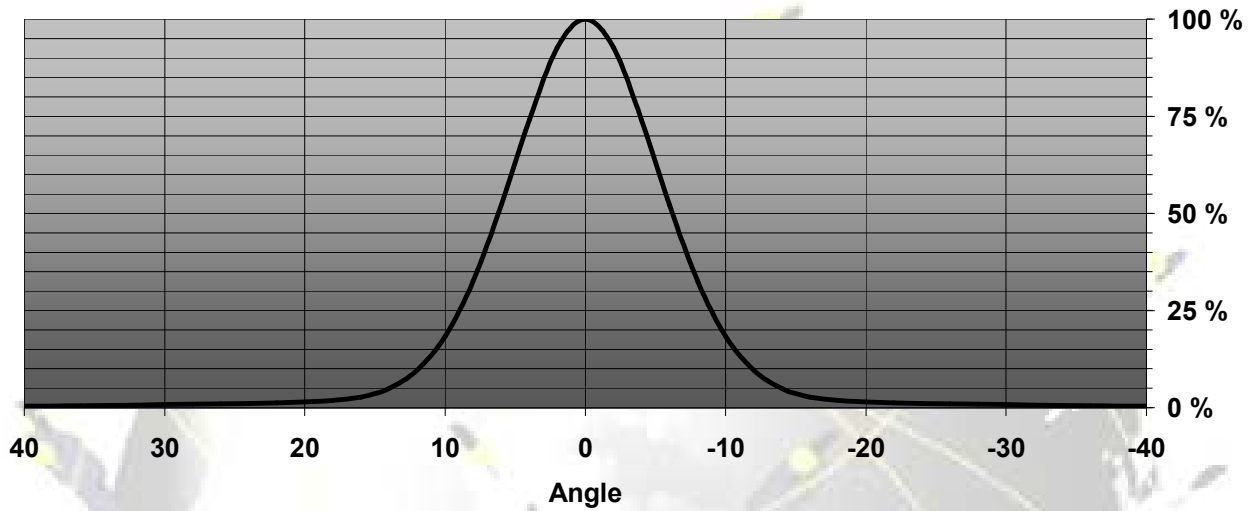
- Specially designed for Cree XLAMP XR-E series of LEDs.
- Special care taken to make a uniform white or warm white illumination. Lenses work well with other colors, too.
- Lens material optical grade PMMA. Allows use of high current and temperature conditions
- Best available optical efficiency, up to 90%.

LENS TYPES

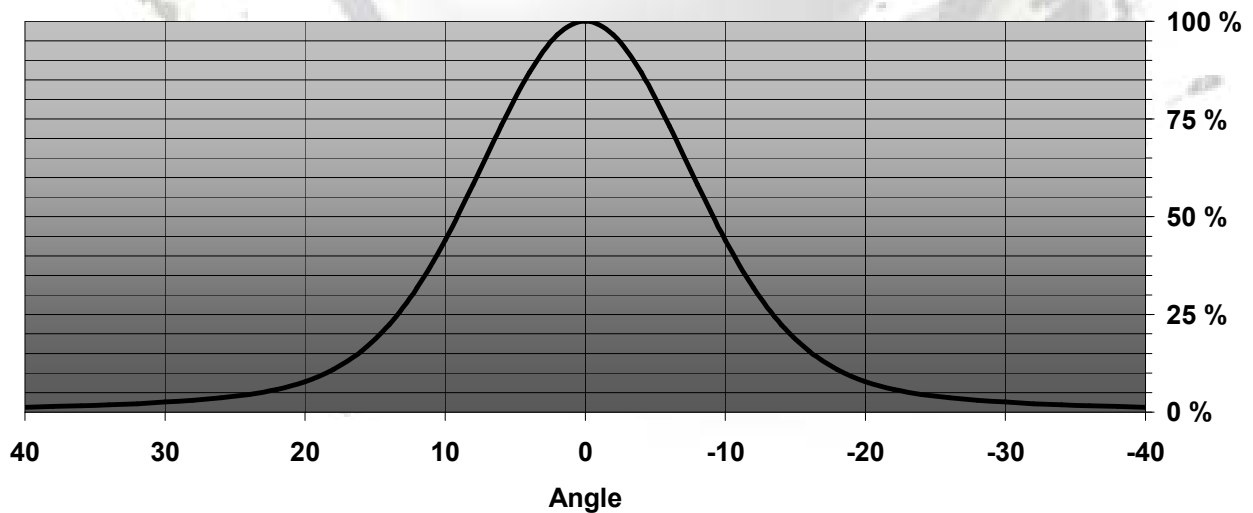
NAME	ORDERING CODE	FWHM
CUTE-4 SMOOTH SPOT	CUTE-4_SS (n. 10446)	±6°
CUTE-4 MEDIUM	CUTE-4_M (n. 10447)	±9°

MEASUREMENT DATA

Relative Intensity of CUTE-4-SS



Relative Intensity of CUTE-4-M



EULUMDAT & IES FILES AVAILABLE BY REQUEST

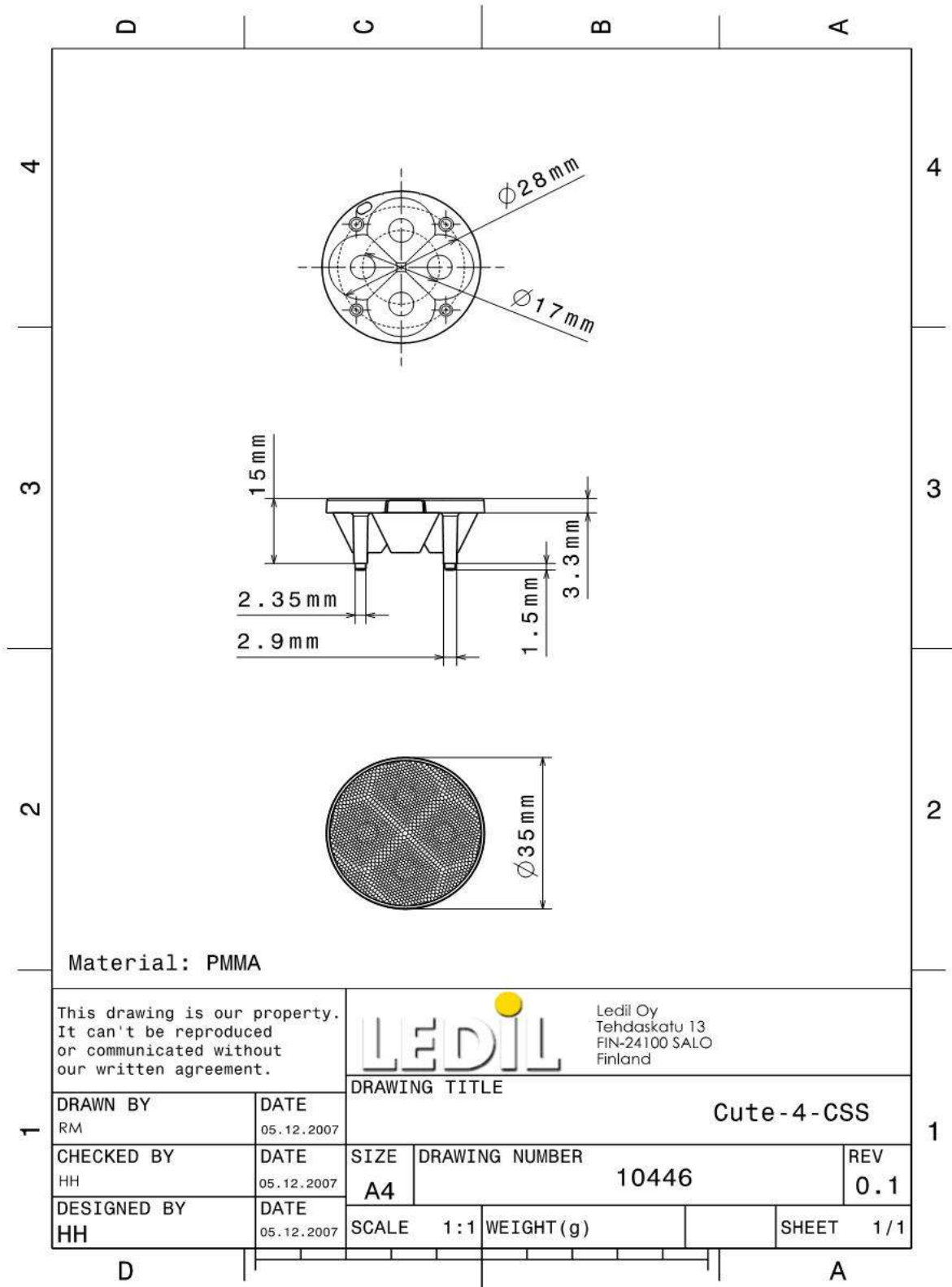
© Ledil Oy – PRELIMINARY - Subject to change without prior notice

Ledil Oy
 Tehdaskatu 13
 FIN-24100 SALO, Finland

www.ledil.com
 email: ledil@ledil.com
 FAX: +358-2-733 8001

2008-06-25

DRAWINGS



© Ledil Oy - PRELIMINARY - Subject to change without prior notice