

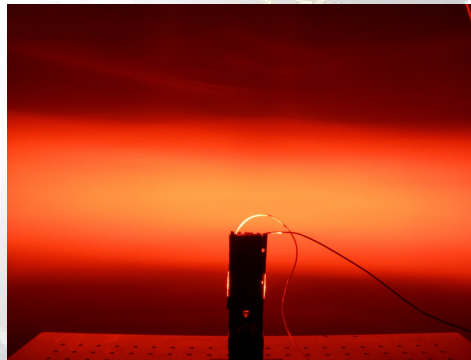
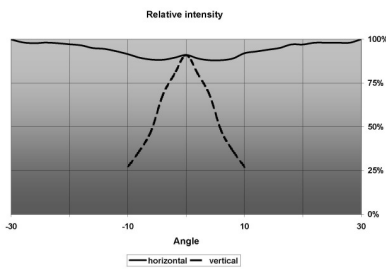
FLARE lens for Luxeon I, III & K2



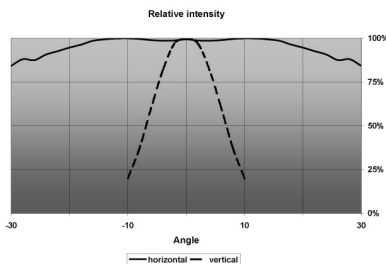
- Works with Luxeon I, III & K2 series of LEDs
- Lens material optical grade PMMA with high UV and temperature resistance (105°C/220°F). Allows use of high current and temperature conditions
- Best available optical efficiency
- Fastening to PCB & heat sink with 2 screws
- Compact dimensions 23 x 25 mm. Square form enables easy build of a line without any gaps between lenses.
- **Especially suitable for Beacon and other 360° solutions and in linear solutions with high evenness requirements**

MEASUREMENTS

AlInGaP CHIP



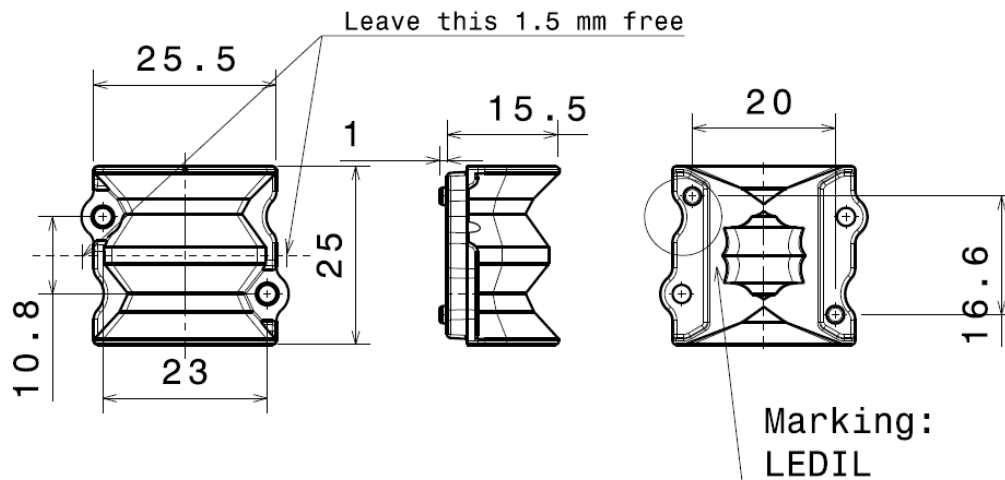
InGaN CHIP



NAME	ORDERING CODE	TYPICAL DATA ON FWHM Angle
FLARE	FLARE (n. 10053)	±6° x ±80°

© Ledil Oy - Subject to change without prior notice

DRAWING



© Ledil Oy - Subject to change without prior notice

Ledil Oy
Tehdaskatu 13
FIN-24100 SALO, Finland

www.ledil.com
email: ledil@ledil.com
FAX: +358-2-733 8001

2008-07-03