

LAIKA TRIPLE lenses for SSC P3 & P4



- Designed for Seoul Semiconductor P4 series of white and monochrome LEDs
- Lens material optical grade PMMA with high UV and temperature resistance (min 105°C)
- Sub lens available for medium light distribution, preassembled to main lens
- No lens holder. Fastening to heat sink with droplets of glue
- High optical efficiency, >85%
- Diameter 50 mm (MR16)
- Mechanical CAD models available upon request

LENS TYPES

NAME	ORDERING CODE	FWHM Angle, P4
LAIKA spot	LAIKA-S (n. 10257)	±5°
LAIKA medium	LAIKA-M (n. 10371)	±15°
LAIKA wide	LAIKA-W (n. 10363)	±25°



LAIKA-S



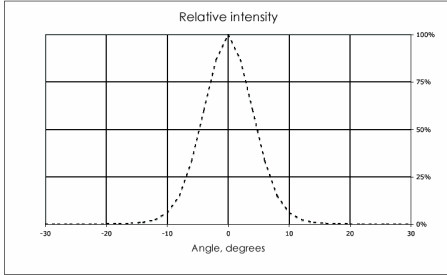
LAIKA-M



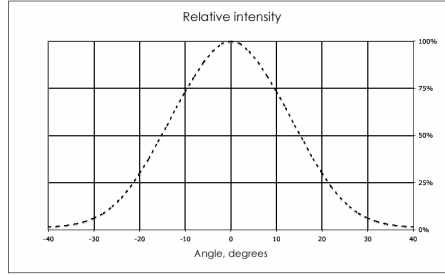
LAIKA-W

MEASUREMENT DATA & PHOTOGRAPHS

LAIKA-S



LAIKA-M



LAIKA-W

COMING
SOON

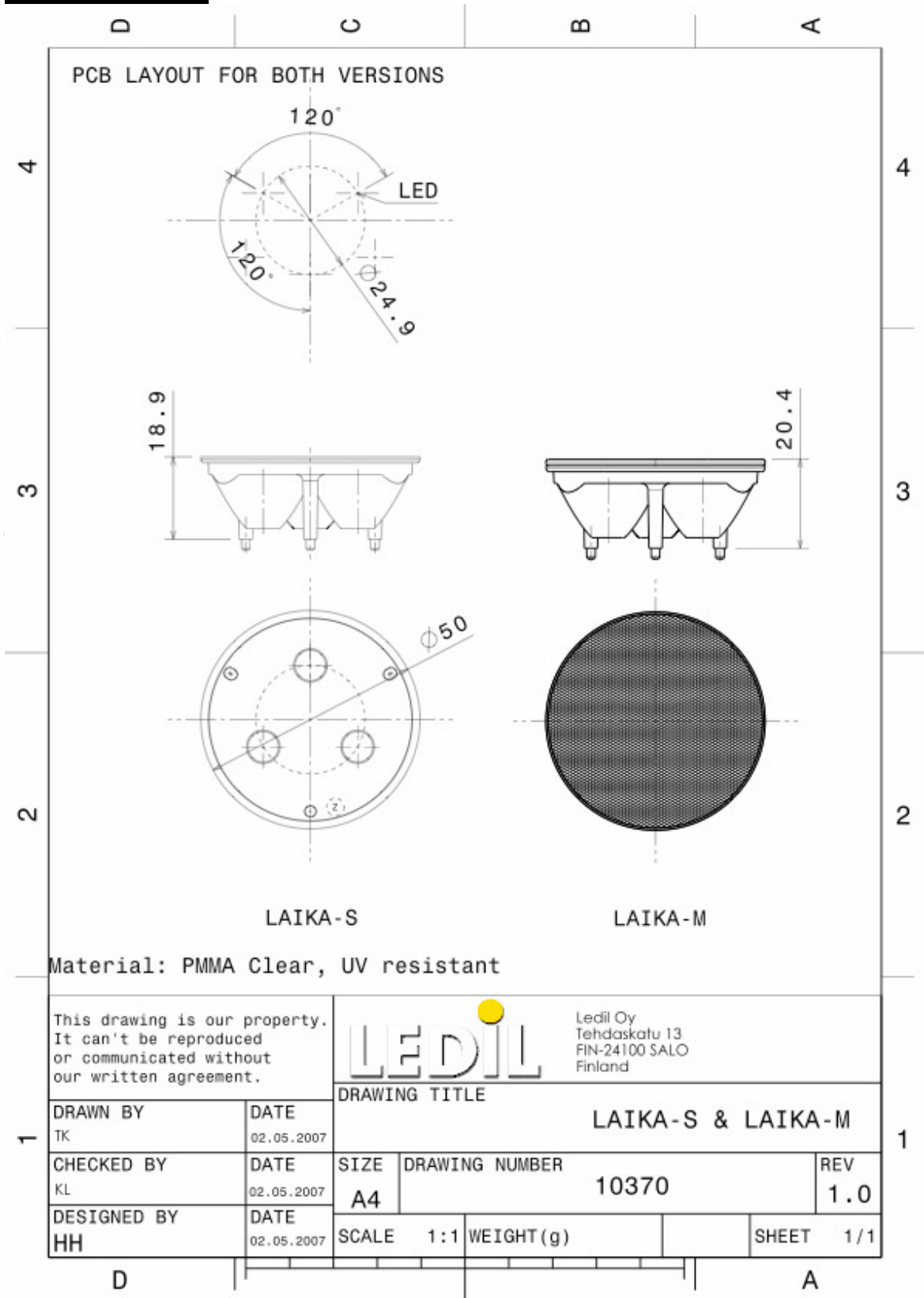


COMING
SOON

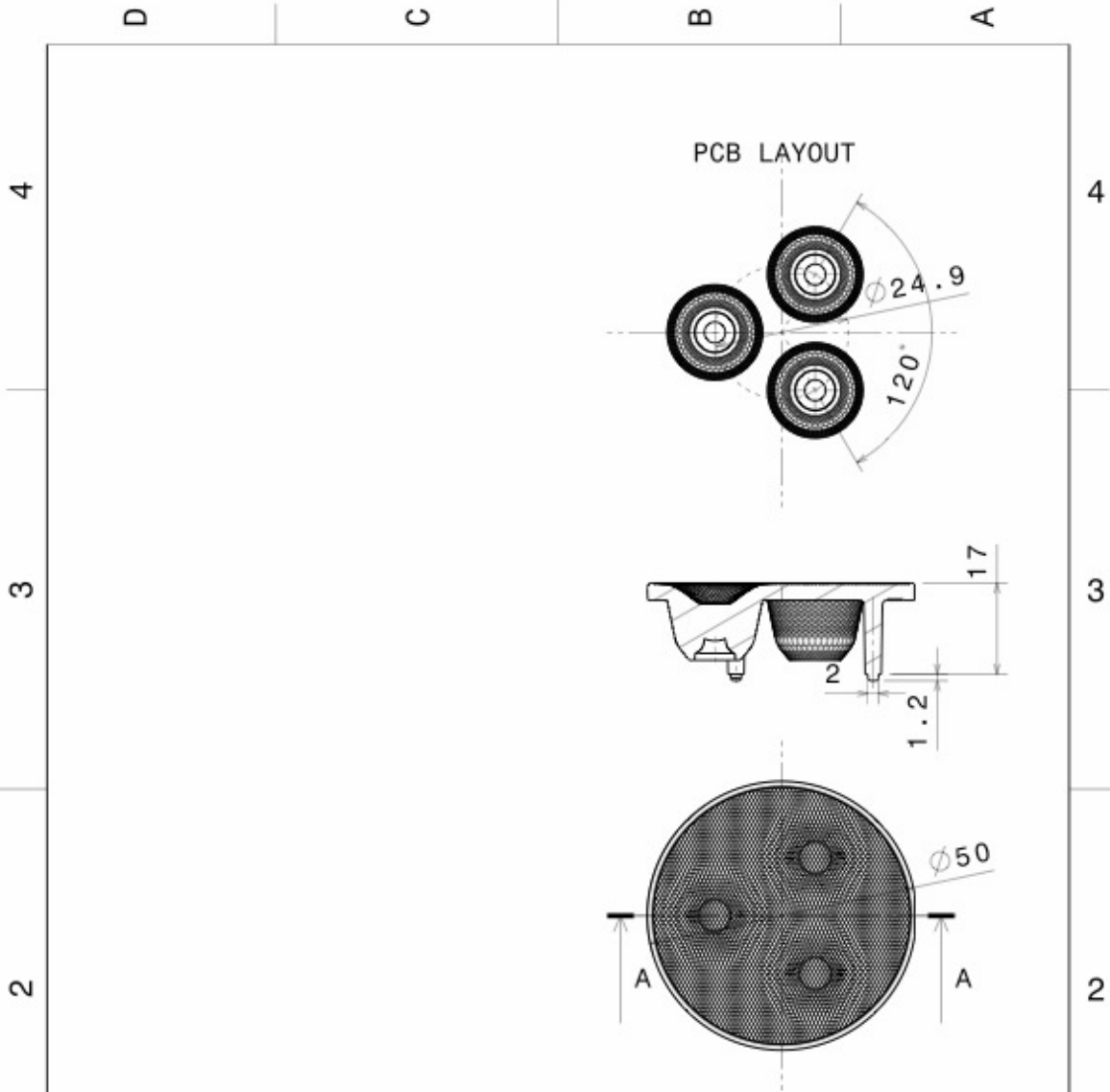
PACKAGING

Lenses are packed in carton boxes of 264 pieces in each box.

DRAWINGS



© Ledil Oy - PRELIMINARY - Subject to change without prior notice



Material: PMMA Clear

This drawing is our property.
It can't be reproduced
or communicated without
our written agreement.

Ledil Oy
Tehdaskatu 13
FIN-24100 SALO
Finland

DRAWING TITLE		LAIKA-W	
DRAWN BY TK	DATE 29.05.2007	SIZE A4	DRAWING NUMBER 10363
CHECKED BY KL	DATE 29.05.2007	SCALE 1:1	REV 0.1
DESIGNED BY HH	DATE 29.05.2007	WEIGHT (g)	SHEET 1/1

© Ledil Oy - PRELIMINARY - Subject to change without prior notice