

NIS036-5-M lens for Nichia Rigel 036 LEDs



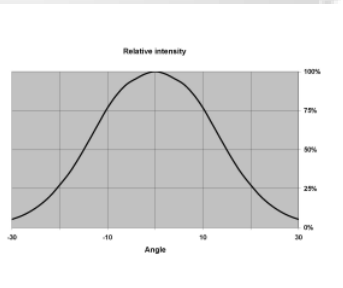
- Lens material optical grade PMMA with high UV and temperature resistance (105°C/220°F)
- High optical efficiency, >85%
- No lens holder. Snap-fitting of the lens to customer's heat sink. For detailed mounting information, please look at the drawing
- Diameter 35.5 mm (MR11)

LENS TYPES

NAME	ORDERING CODE	FWHM Angle
NIS036-5 medium	NIS036-5-M (n. 10390)	±13°

MEASUREMENT DATA & PHOTOGRAPHS

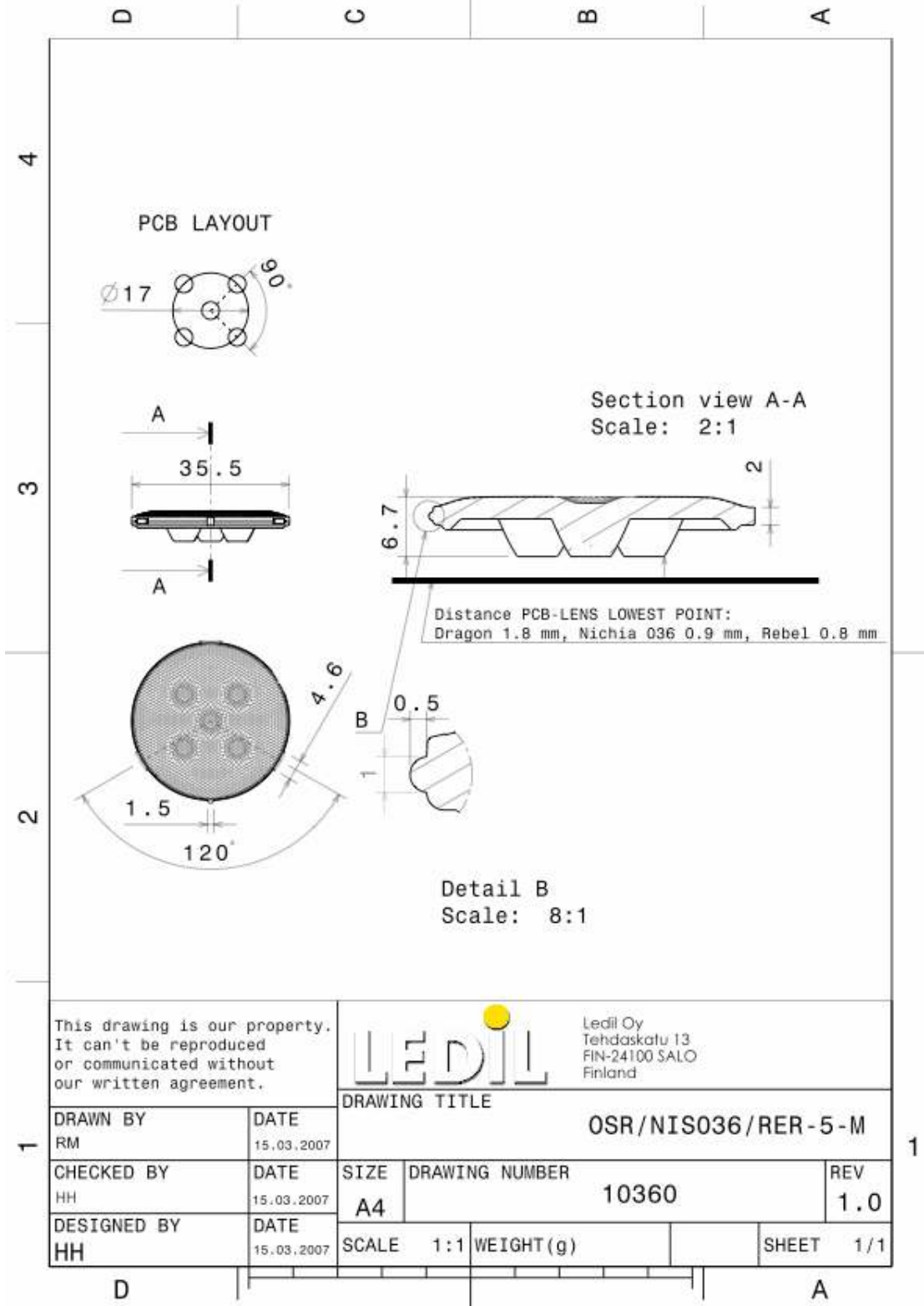
NIS036-5-M



PACKAGING

Lenses are packed in carton boxes of 500 pieces in each box.

DIMENSIONS & PCB LAYOUT



© Ledil Oy - PRELIMINARY - Subject to change without prior notice