

NIS083-4 quad lenses for Nichia 083 LEDs



- Designed for Nichia 083 LEDs.
- Lens material optical grade PMMA with high UV and temperature resistance (105°C/220°F)
- High optical efficiency, >85%
- No lens holder. Fastening to heat sink with droplets of glue. NOTE: legs go into the PCB by 1.2 mm only, do not go thru a normal MCPCB
- Diameter 50 mm (MR16)
- All 3 lens types have the same outer dimensions
- Mechanical CAD models available upon request

LENS TYPES

NAME	ORDERING CODE	FWHM Angle
NIS083-4 spot	NIS083-4-S (n. 10385)	±6°
NIS083-4 medium	NIS083-4-M (n. 10386)	±10°
NIS083-4 wide	NIS083-4-W (n. 10387)	±21°



NIS083-4-S



NIS083-4-M

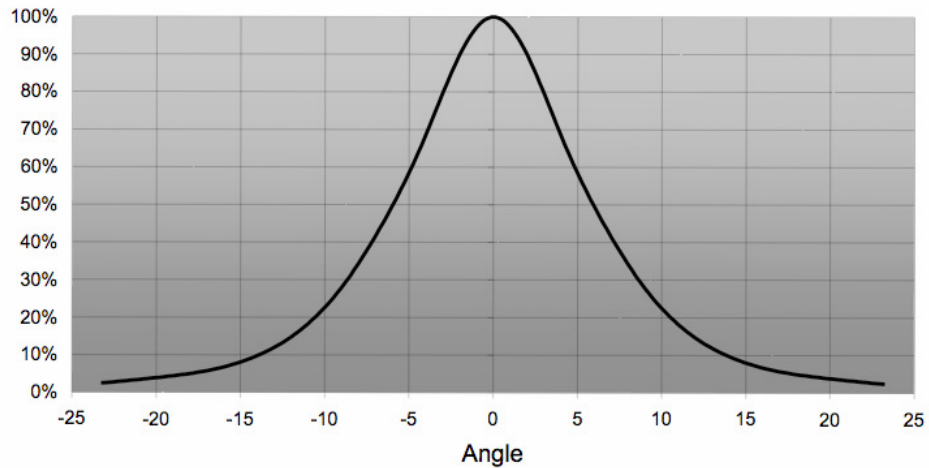


NIS083-4-W

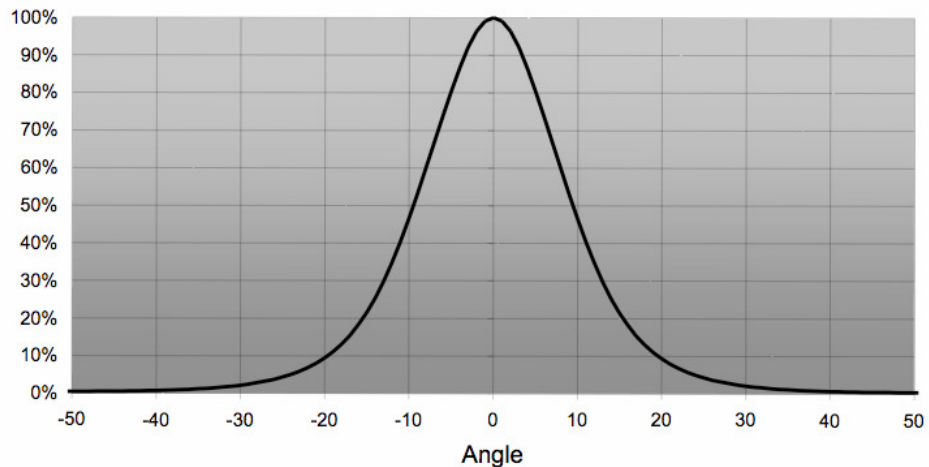
© Ledil Oy - PRELIMINARY - Subject to change without prior notice

MEASUREMENT DATA

Relative intensity of NIS083-4-S

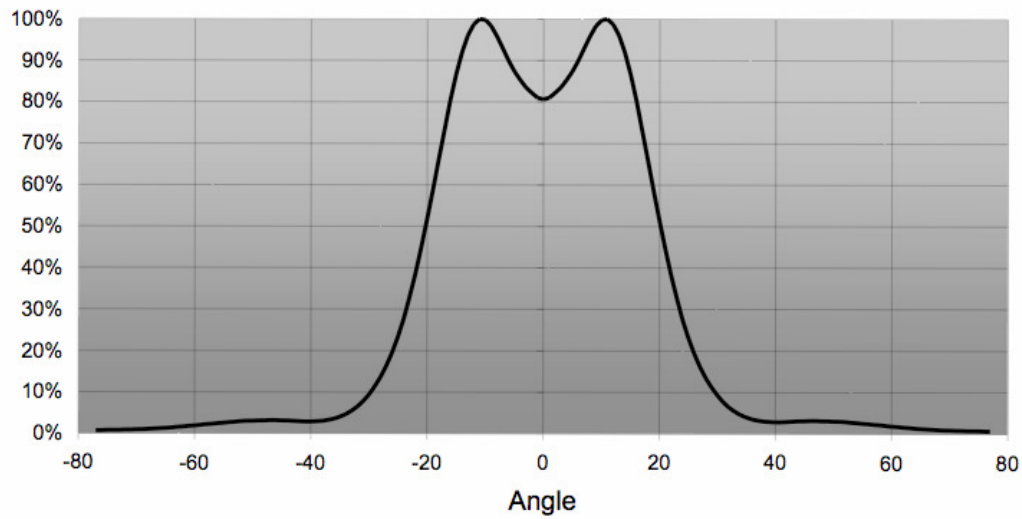


Relative intensity of NIS083-4-M



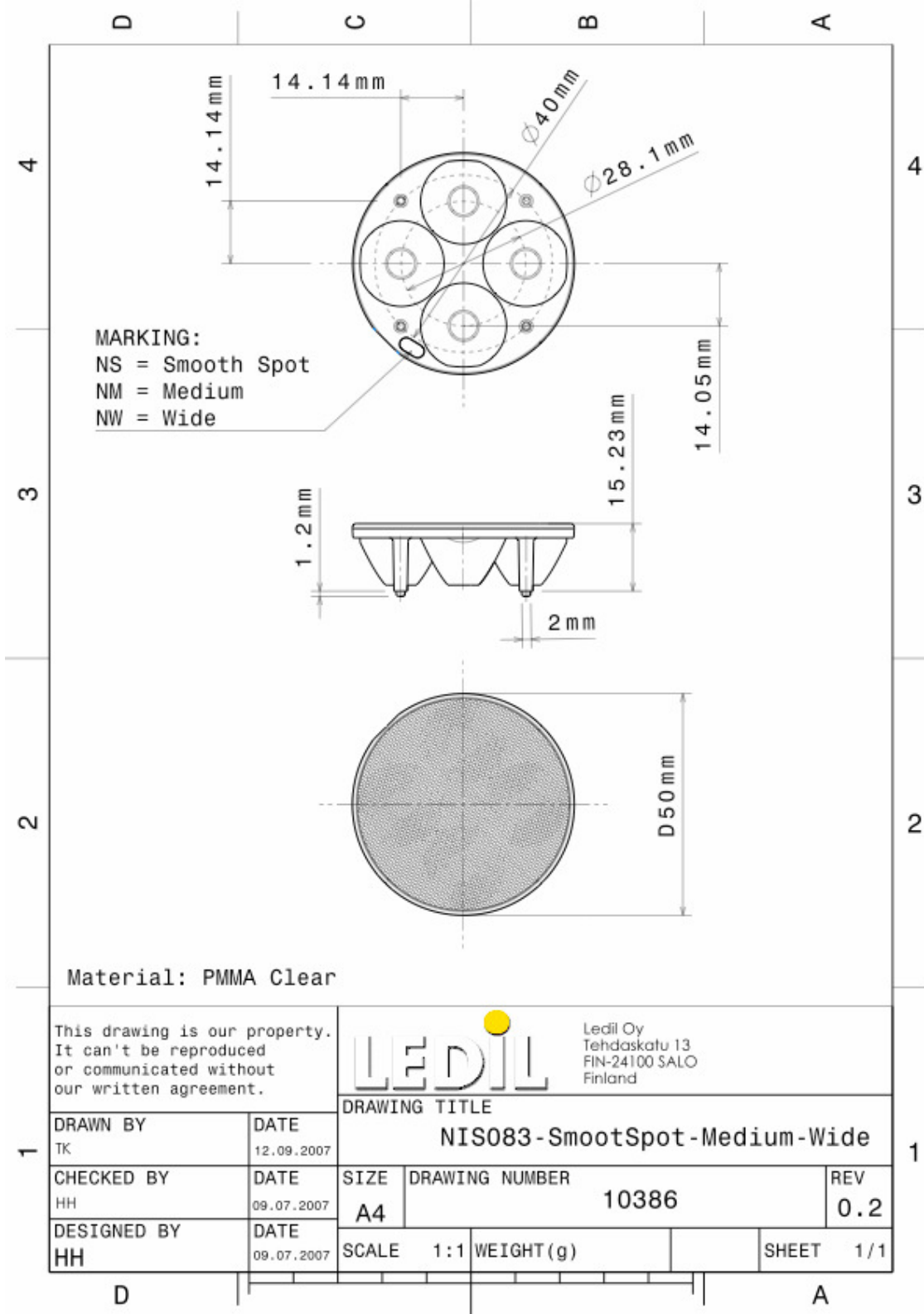
© Ledil Oy – PRELIMINARY - Subject to change without prior notice

Relative intensity of NIS083-4-W

**PACKAGING**

Lenses are packed in carton boxes of 264 pieces in each box.

DRAWINGS



© Ledil Oy - PRELIMINARY - Subject to change without prior notice