

## NIS083-5-M lens for Nichia 083 LEDs



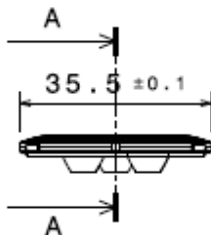
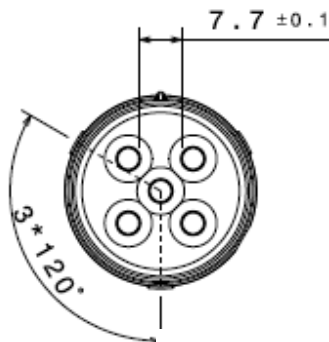
© LEDIL Oy 2007 - All rights reserved

- Designed for Nichia 083 LEDs.
- Lens material optical grade PMMA with high UV and temperature resistance (105°C/220°F)
- High optical efficiency, >85%
- No lens holder. Snap-fitting of the lens to customer's heat sink. Please contact us for detailed mounting information
- Diameter 35.5 mm (MR11)
- Mechanical CAD models available upon request

## LENS TYPES

NAME	ORDERING CODE	FWHM Angle
NIS083-3 medium	NIS083-5-M	±12°

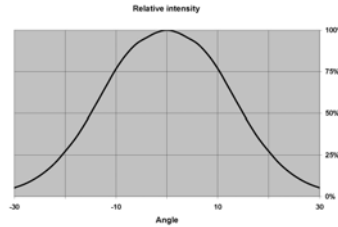
## DIMENSIONS



© Ledil Oy – PRELIMINARY - Subject to change without prior notice

**MEASUREMENT DATA & PHOTOGRAPHS**

NIS083-5-M

**PCB LAYOUT**

Please contact us for further information.

**PACKAGING**

Lenses are packed in carton boxes of 1000 pieces in each box.