

PLATINUM-3 lenses for Osram Dragon



- Designed for Osram Golden & Platinum Dragon LEDs
- Lens material optical grade PMMA with high UV and temperature resistance (105°C/220°F)
- High optical efficiency, >85%
- No lens holder. Fastening to heat sink with droplets of glue. NOTE: legs go into the PCB by 1.2 mm only, do not go thru a normal MCPCB
- Diameter 50 mm (MR16)
- Mechanical CAD models available upon request
- All 3 lens types have the same outer dimensions.

LENS TYPES

NAME	ORDERING CODE	FWHM Angle
PLATINUM-3 spot	PLATINUM-3-S (n. 10366)	±7°
PLATINUM-3 medium	PLATINUM-3-M (n. 10367)	±10°
PLATINUM-3 wide	PLATINUM-3-W (n. 10365)	±25°



PLATINUM-3-S



PLATINUM-3-M

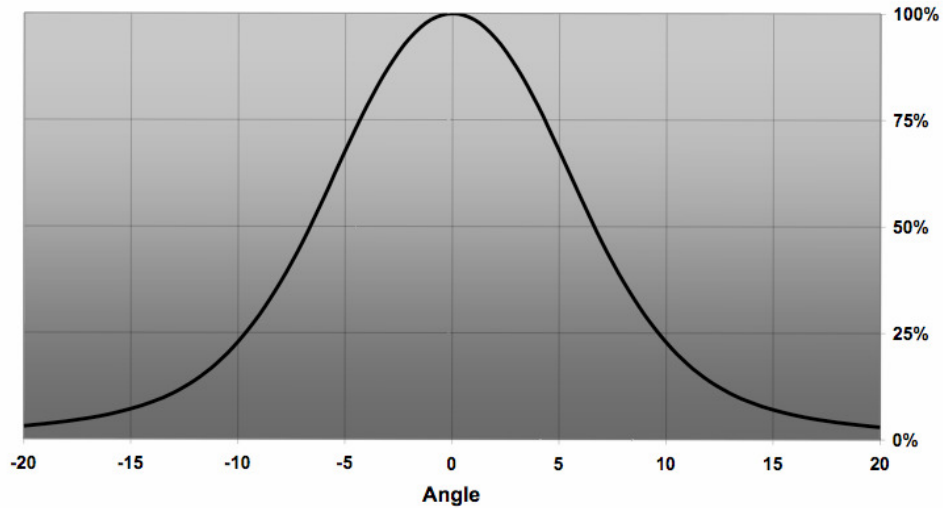


PLATINUM-3-W

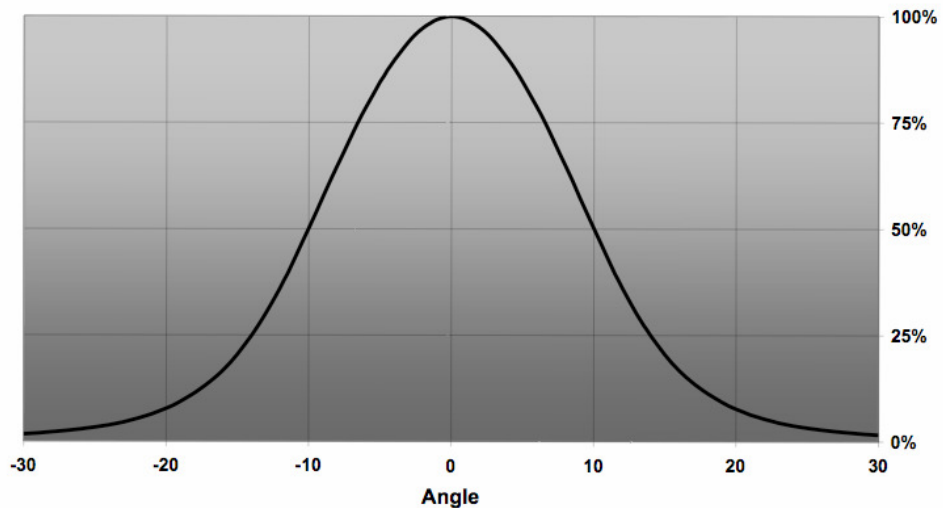
© Ledil Oy – PRELIMINARY - Subject to change without prior notice

MEASUREMENT DATA

Relative intensity of PLATINUM-3-SS

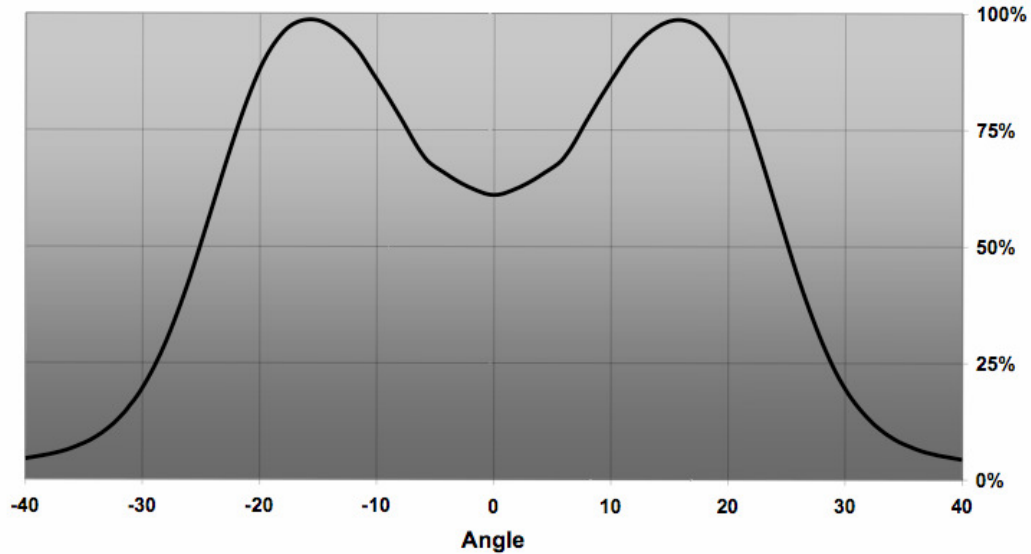


Relative intensity of PLATINUM-3-M



© Ledil Oy – PRELIMINARY - Subject to change without prior notice

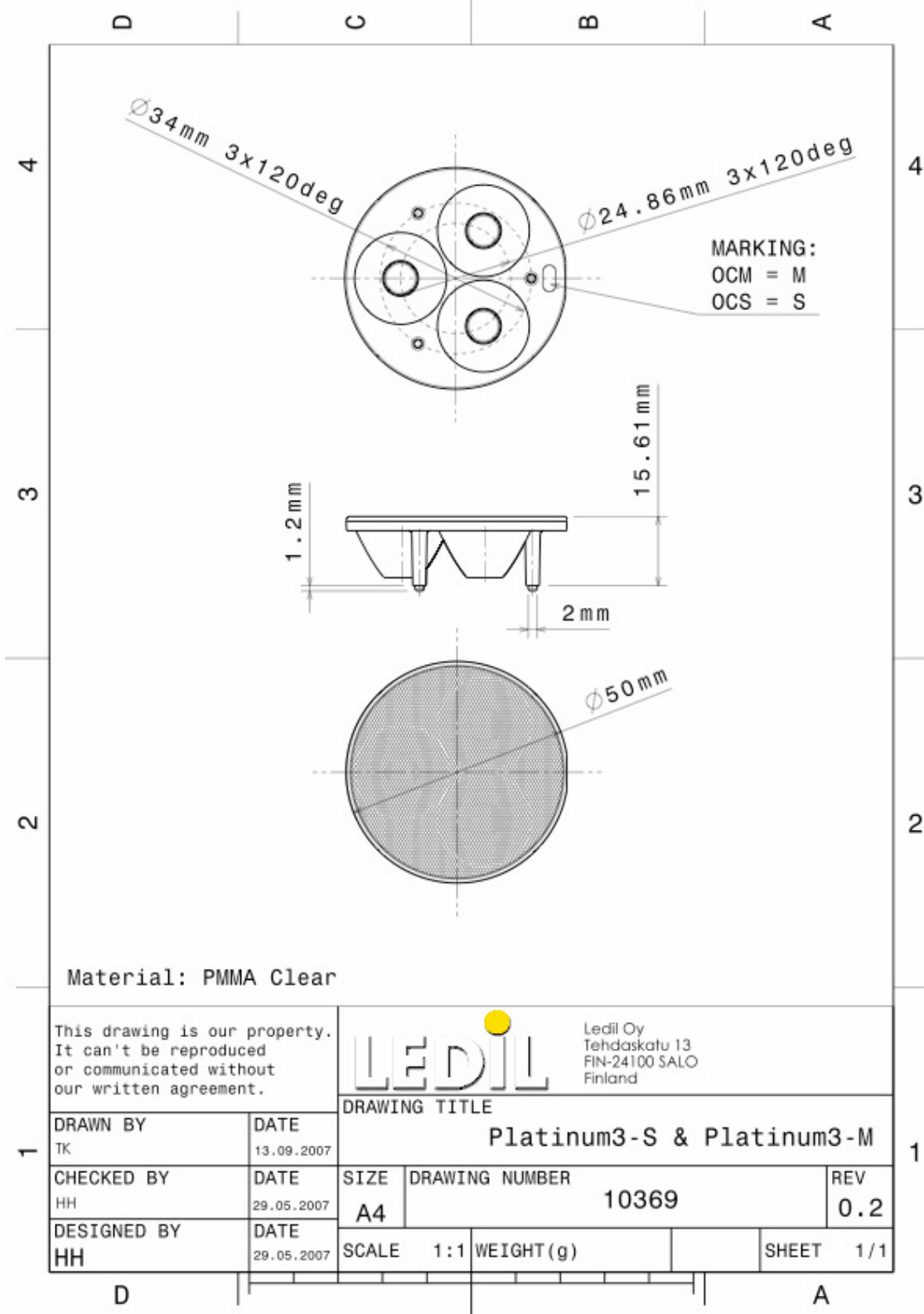
Relative intensity of PLATINUM-3-W



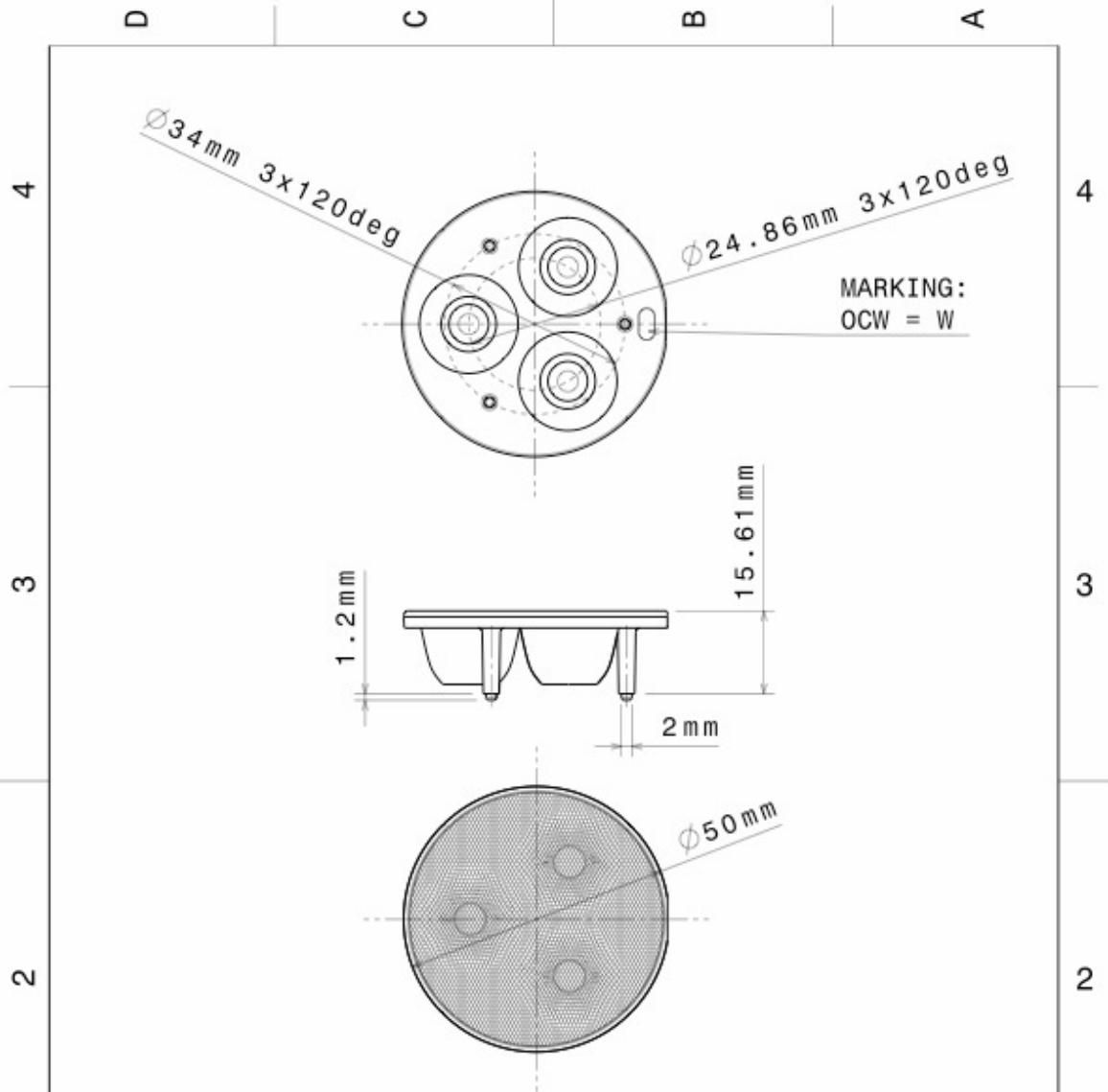
PACKAGING

Lenses are packed in carton boxes of 364 pieces in each box.

DRAWINGS



© Ledil Oy - PRELIMINARY - Subject to change without prior notice



Material: PMMA Clear

This drawing is our property. It can't be reproduced or communicated without our written agreement.



Ledil Oy
Tehdaskatu 13
FIN-24100 SALO
Finland

DRAWN BY TK		DATE 13.09.2007	DRAWING TITLE Platinum3-W		
CHECKED BY HH	DATE 29.05.2007	SIZE A4	DRAWING NUMBER 10375	REV 0.2	
DESIGNED BY HH	DATE 29.05.2007	SCALE 1:1	WEIGHT (g)	SHEET 1/1	