

RGB-X lenses for LedEngin's RGB LEDs



LedEngin, Inc.



- Specially designed for LedEngin RGB (10W) series of LEDs.
- Special care taken to make a uniform RGB.
- Lens material optical grade PMMA. Allows use of high current and temperature conditions
- Best available optical efficiency, up to 90%.

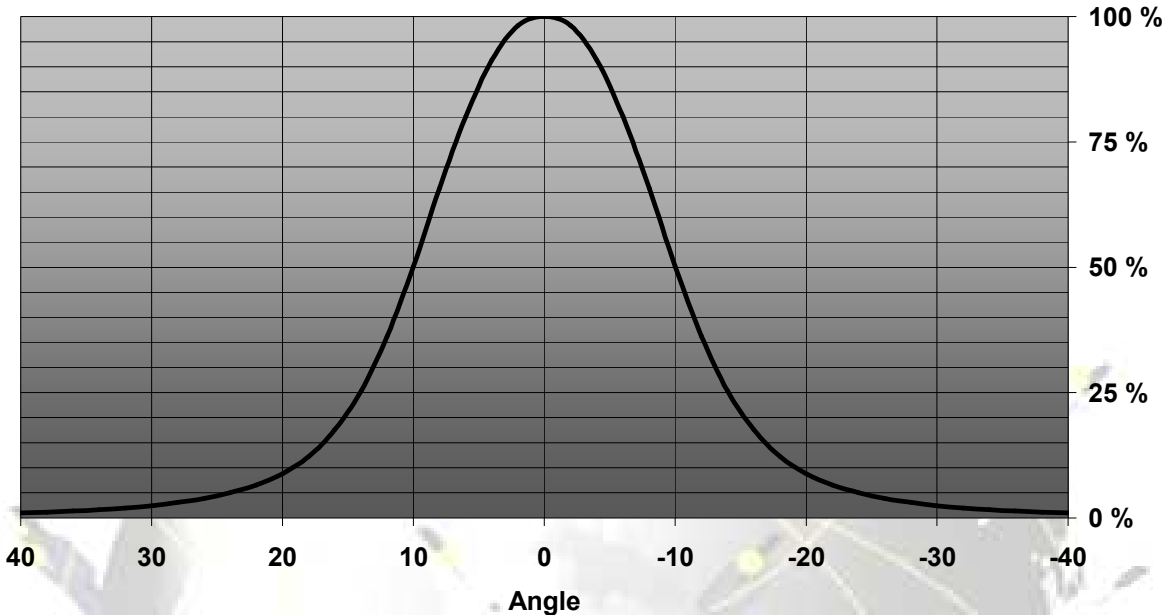
LENS TYPES

NAME	ORDERING CODE	FWHM Angle
RGB-X	RGB-X (n. 10550)	$\pm 10^\circ$

© Ledil Oy – PRELIMINARY - Subject to change without prior notice

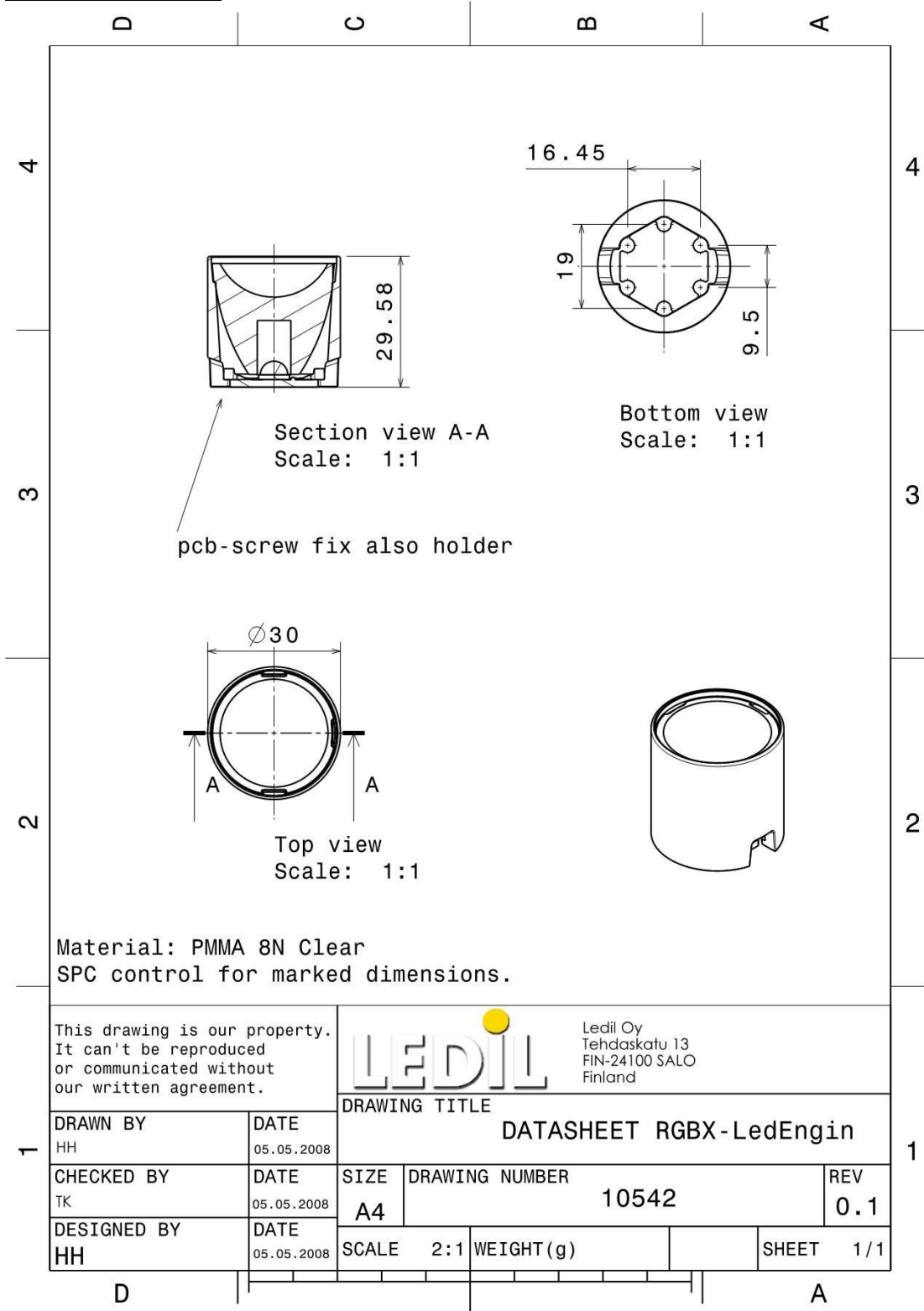
MEASUREMENT DATA

Relative Intensity of RGB-X



© Ledil Oy – PRELIMINARY - Subject to change without prior notice

DRAWINGS



© Ledil Oy - PRELIMINARY - Subject to change without prior notice