

RGB-X lenses for Cree's MC-E series of LEDs



- Specially designed for Cree's MC-E series of LEDs.
- Special care taken to make a uniform RGB, white or warm white illumination.
- Lens material optical grade PMMA. Allows use of high current and temperature conditions
- Best available optical efficiency, up to 90%.

LENS TYPES

NAME	ORDERING CODE	FWHM Angle
RGB-X	RGB-X (n. 10548)	N/A

© Ledil Oy - PRELIMINARY - Subject to change without prior notice

MEASUREMENT DATA

COMING SOON!



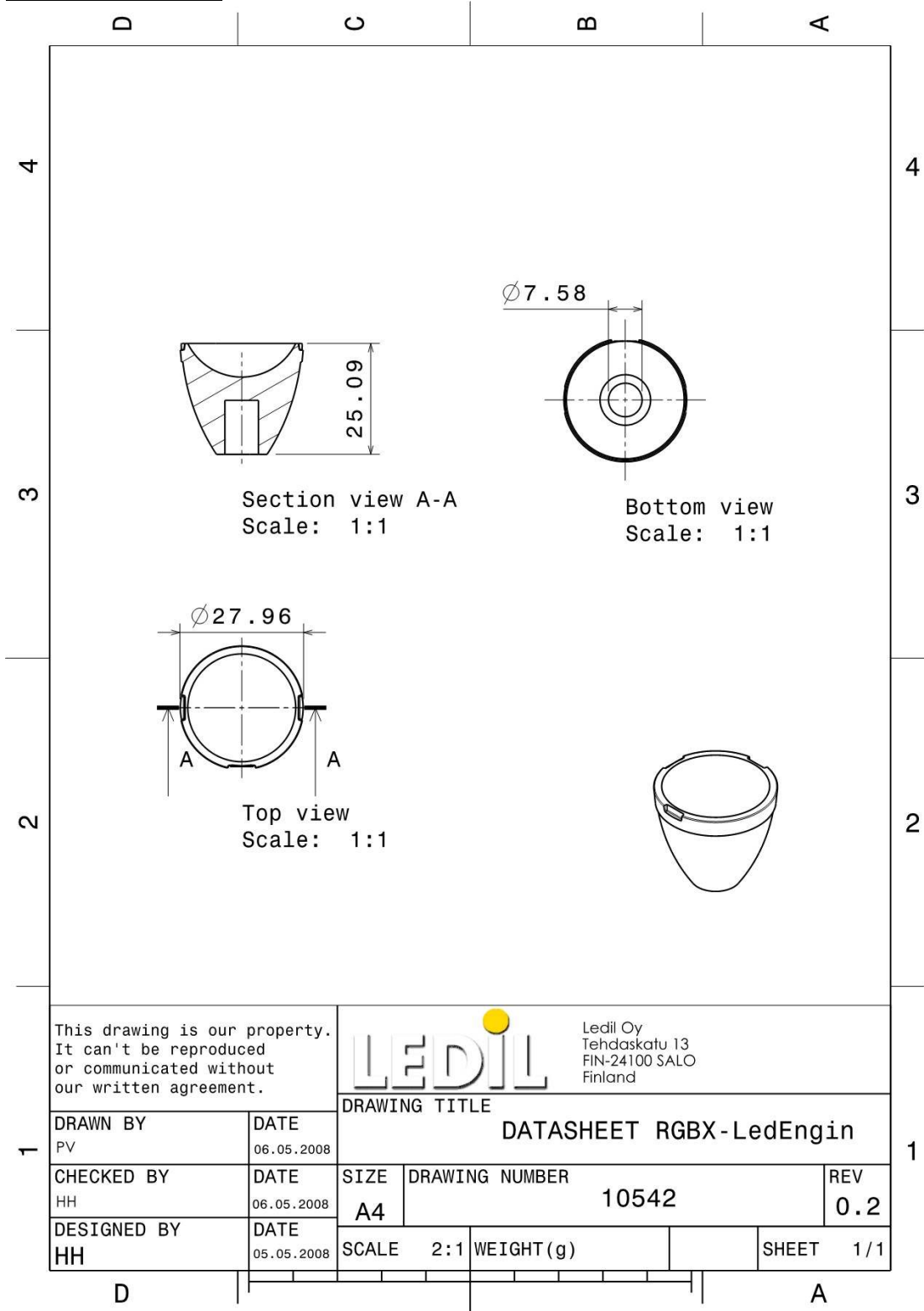
© Ledil Oy – PRELIMINARY - Subject to change without prior notice

Ledil Oy
Tehdaskatu 13
FIN-24100 SALO, Finland

www.ledil.com
email: ledil@ledil.com
FAX: +358-2-733 8001

2008-09-09

DRAWINGS



© Ledil Oy - PRELIMINARY - Subject to change without prior notice