

ROCKET-3 lenses for Cree XLamp® XR, XR-C & XR-E



- Designed for Cree XR-C and XR-E series of LEDs. Can be used with XR, too.
- Lens material optical grade PMMA with high UV and temperature resistance (105°C/220°F)
- High optical efficiency, >85%
- No lens holder. Fastening to heat sink with droplets of glue. NOTE: legs go into the PCB by 1.2 mm only, do not go thru a normal MCPCB
- Diameter 50 mm (MR16)
- Easy build of a complete luminaire using ROCKET-3, XLamp® and heat sink
- Mechanical CAD models available upon request
- All 3 lens types have the same outer dimensions.

LENS TYPES

NAME	ORDERING CODE	FWHM Angle, with XR-E
ROCKET-3 spot	ROCKET-3-S (n. 10366)	±5°
ROCKET-3 medium	ROCKET-3-M (n. 10367)	±10°
ROCKET-3 wide	ROCKET-3-W (n. 10365)	±25°



ROCKET-3-S



ROCKET-3-M

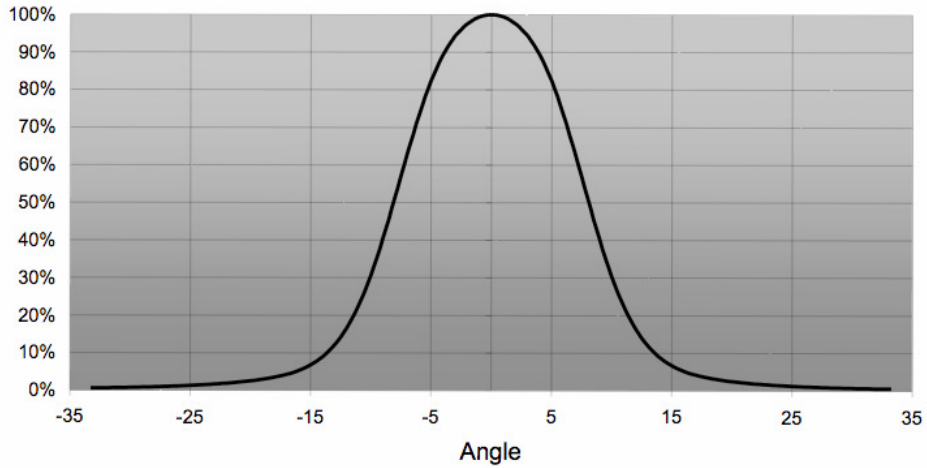


ROCKET-3-W

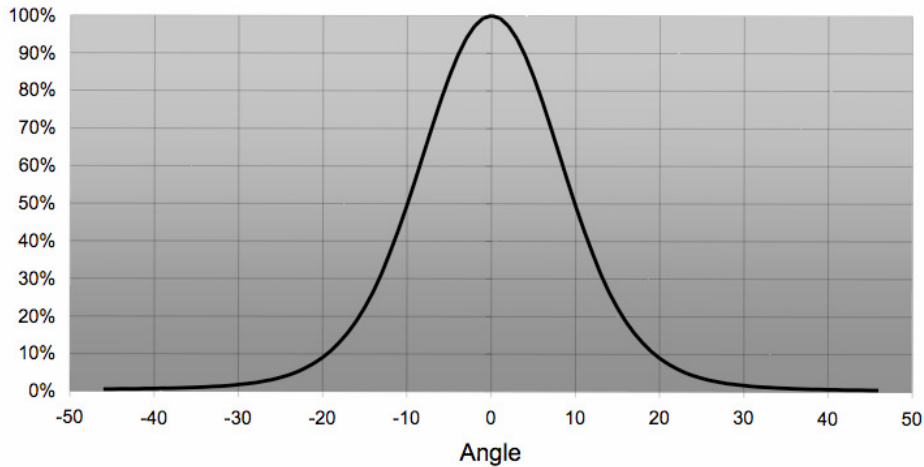
© Ledil Oy – PRELIMINARY - Subject to change without prior notice

MEASUREMENT DATA

Relative intensity of ROCKET-3-S

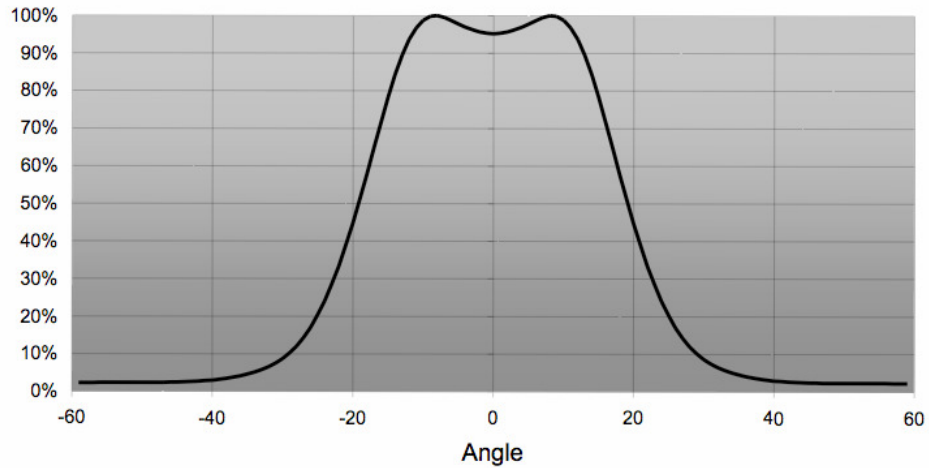


Relative intensity of ROCKET-3-M



© Ledil Oy – PRELIMINARY - Subject to change without prior notice

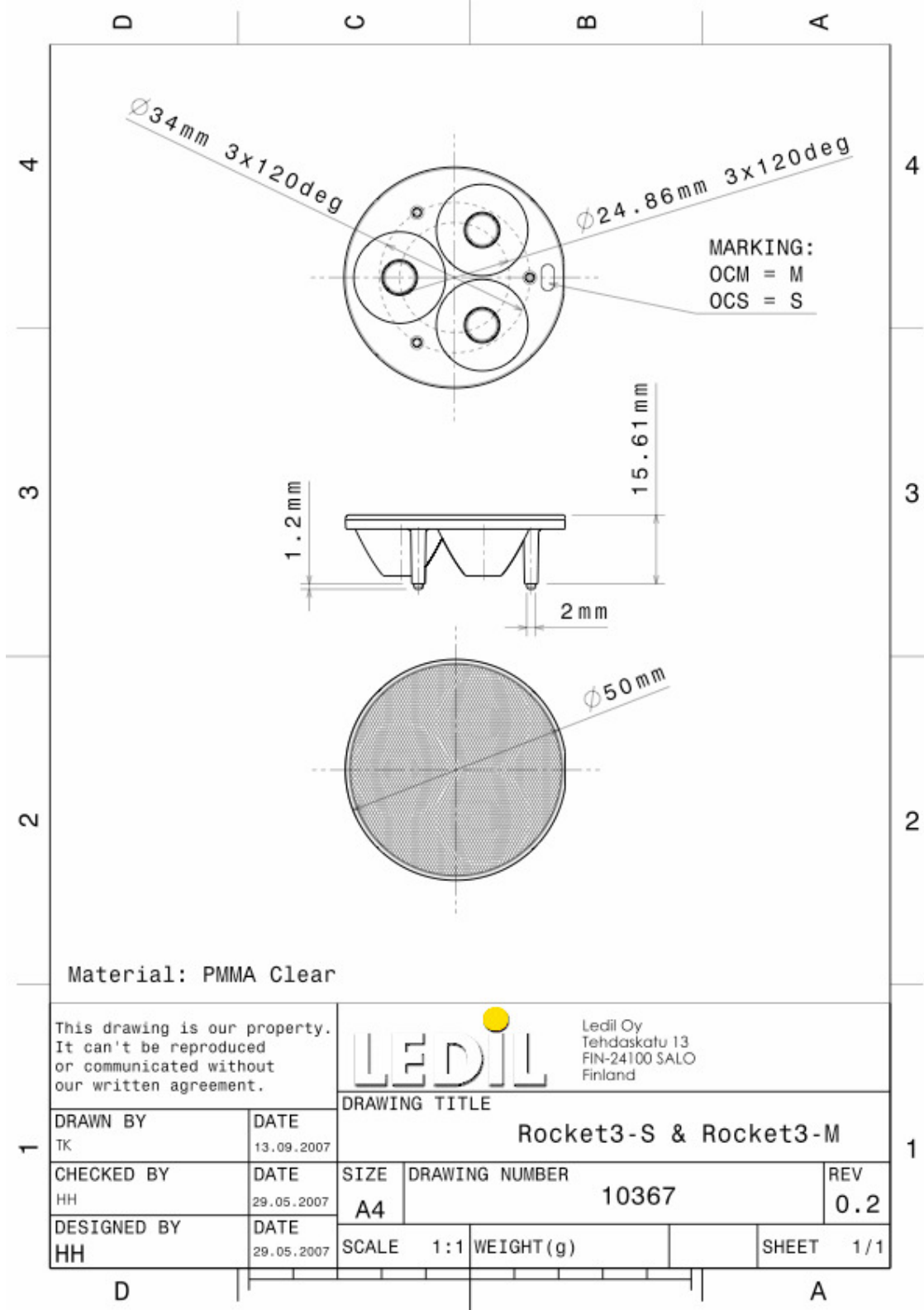
Relative intensity of ROCKET-3-W



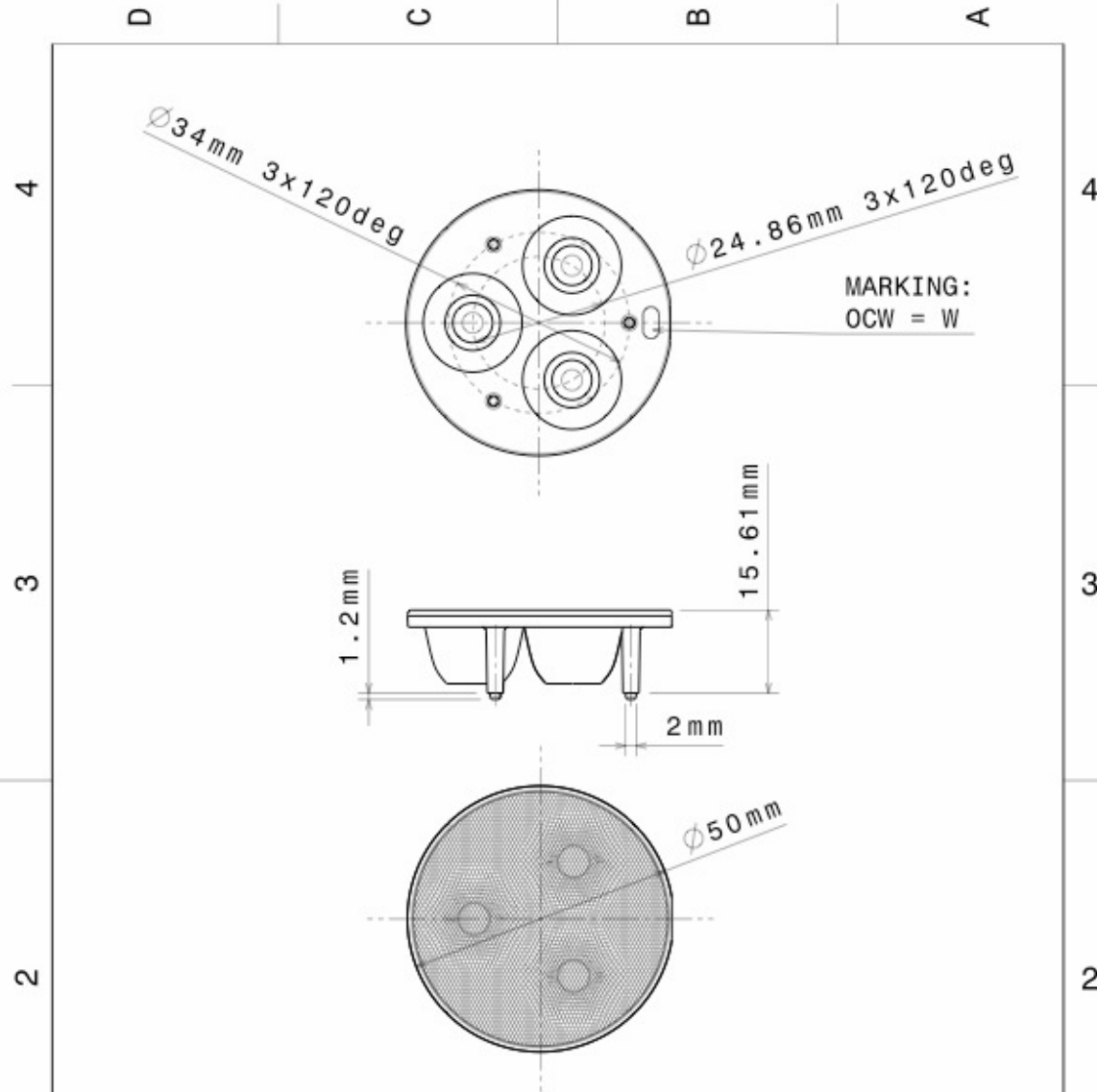
PACKAGING

Lenses are packed in carton boxes of 364 pieces in each box.

DRAWINGS



© Ledil Oy - PRELIMINARY - Subject to change without prior notice



Material: PMMA Clear

This drawing is our property. It can't be reproduced or communicated without our written agreement.



Ledil Oy
Tehdaskatu 13
FIN-24100 SALO
Finland

DRAWN BY TK		DATE 13.09.2007	DRAWING TITLE Rocket3-W			1
CHECKED BY HH	DATE 29.05.2007	SIZE A4	DRAWING NUMBER 10365	REV 0.2		
DESIGNED BY HH	DATE 29.05.2007	SCALE 1:1	WEIGHT(g)	SHEET 1/1		

© Ledil Oy - PRELIMINARY - Subject to change without prior notice