

TITANUM-3 Lenses for Dragon LEDs


TITANUM-3 S



TITANUM-3 M

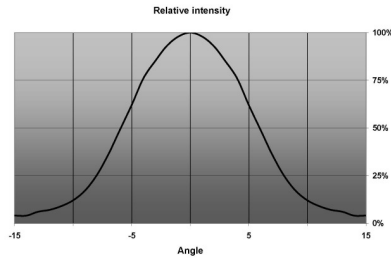
- Use with Osram Dragon series of white and monochromate LEDs
- Lens material optical grade PMMA with high UV and temperature resistance (105°C/220°F)
- High optical efficiency, >85%
- Diameter 50 mm (MR16)
- Use of sub lens gives a smooth, pleasant beam pattern
- Mechanical CAD models available upon request

LENS TYPES

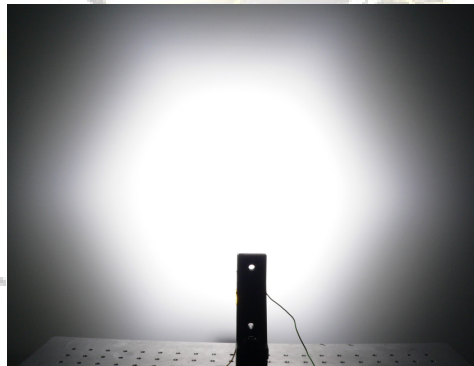
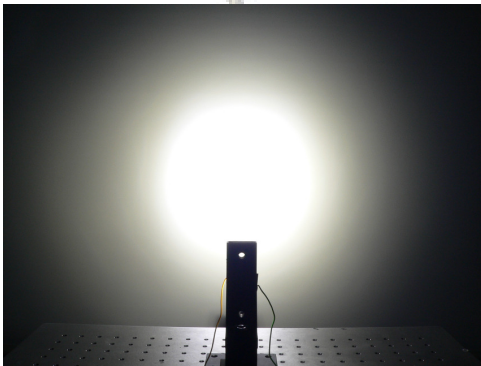
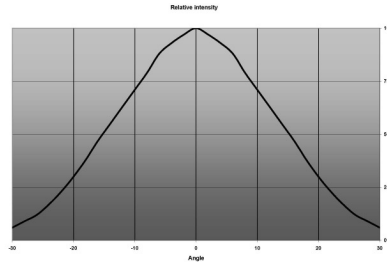
NAME	ORDERING CODE	FWHM Angle
TITANUM-3 spot	TITANUM-3-S (n. 10268)	±7°
TITANUM-3 medium	TITANUM-3-M (n. 10368)	±15°

MEASUREMENT DATA & PHOTOGRAPHS

TITANUM-3-S



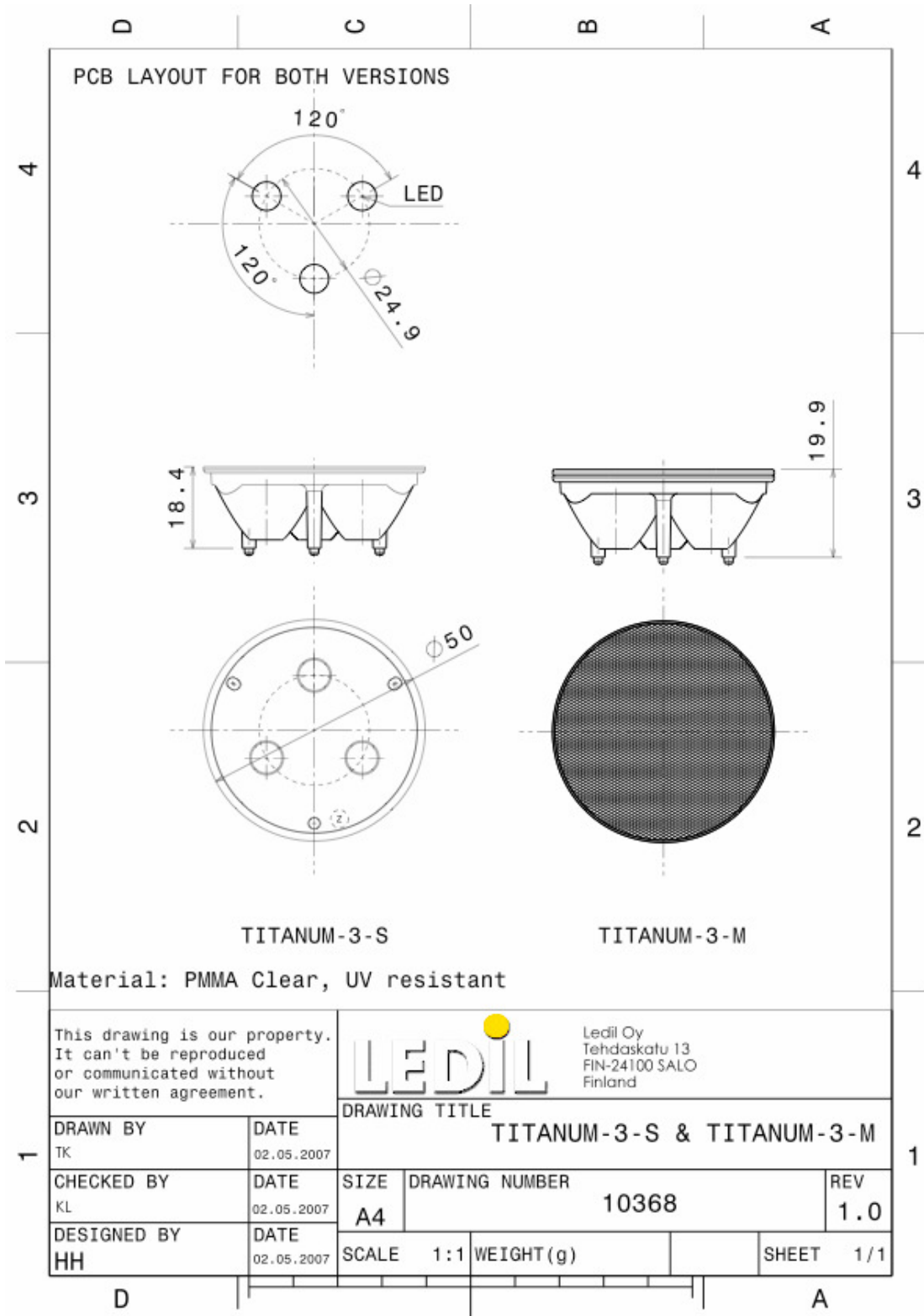
TITANUM-3-M



PACKAGING

Lenses are packed on plastic trays in carton boxes of 364 pieces in each box.

DRAWINGS



© Ledil Oy - PRELIMINARY - Subject to change without prior notice